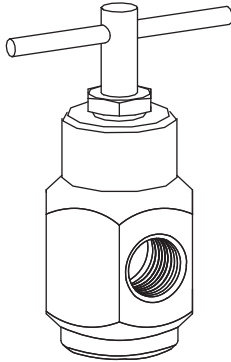


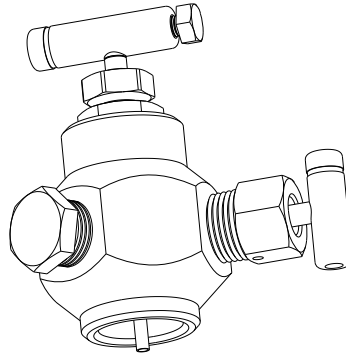
## Pressure Relief Tool



**FOR 1" - 14 UNS VENTED CAP FITTINGS  
1/2" NPT VENT PORT**

MATERIAL	PART NO.
1215	PR11S8-10
4140	PR11S8-80

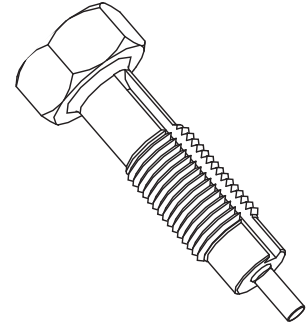
## Pressure Relief Tool with Bleeder



**FOR 1" - 14 UNS VENTED CAP FITTINGS  
1/2" NPT VENT PORT WITH BLEEDER VALVE**

MATERIAL	PART NO.	PLATING
1215	PR12S8-10	Zinc

## Pressure Relief Tool for Packing Injection Fittings

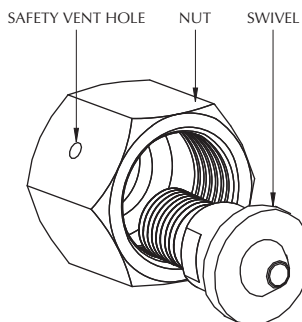


PART NO.
F2-021-10

\*\*CA=AISI 52100 Chrome Alloy ~ Other materials and plating available upon request. PLEASE CONSULT FACTORY FOR PRODUCT AVAILABILITIES.

# FITTING ACCESSORIES

## Grease Gun Lube Adapter

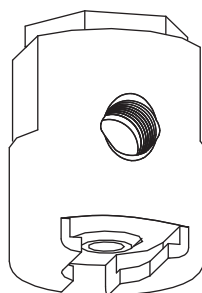


(SWIVEL + NUT)  
ADAPTS TO GREASE GUN VIA 1/4" NPT MALE THREADS

THREAD SIZE (NUT)	MATERIAL		PART NO.
	NUT	SWIVEL	
1" - 14 UNS	1215	4140	LA10S8-10
	4140		LA10S8-80
	1215		LA10S8-10-T3 †
7/8" - 14 UNF	1215	4140	LA10S7-10
3/4" - 16 UNF	1215	4140	LA10S6-10

† WKM Style.

## Giant Button Head Coupler

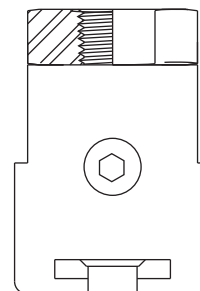


ADAPTS TO GREASE GUN VIA 1/4" NPT FEMALE THREADS

MATERIAL	PART NO.	PLATING
1215	BHC78	Zinc

Repair Kit: BHC78-RPR-KIT

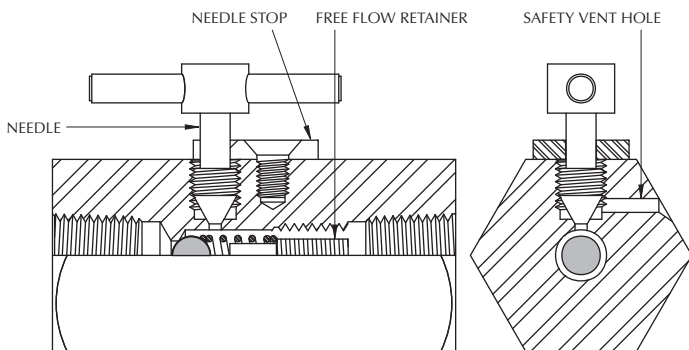
## Giant Button Head Coupler - Top Entry



ADAPTS TO GREASE GUN VIA 1/4" NPT FEMALE THREADS

MATERIAL	PART NO.	PLATING
1215	BHC78-TE	Zinc

## Safe Vent Coupler

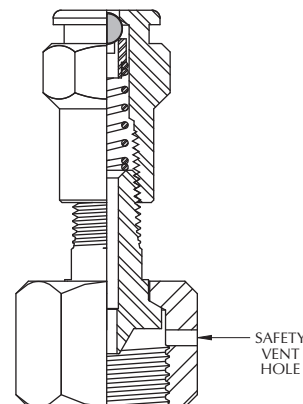


GREASE GUN LUBE ADAPTER WITH PRESSURE RELEASE AND CHECK. ADAPTS TO GREASE GUN HOSE VIA 1/4" NPT FEMALE PORT. (CAN BE PURCHASED WITH OR WITHOUT LUBE ADAPTER)

MATERIAL		PART NO.	LUBE ADAPTER THREAD SIZE	PLATING
NUT	SWIVEL			
---	---	SV22N2-80	N/A	Zinc
1215	4140	SV22N2-80-L1	1" - 14*	Zinc
1215	4140	SV22N2-80-L2	1" - 14*	Zinc †
1215	4140	SV22N2-80-L3	7/8" - 14*	Zinc
1215	4140	SV22N2-80-L4	3/4" - 16*	Zinc

\* Shown above without lube adapter. † WKM Style.

## Combination Lube Adapter



GREASE GUN LUBE ADAPTER WITH GIANT BUTTON HEAD AND BALL CHECK

THREAD SIZE (NUT)	MATERIAL		PART NO.	PLATING
	NUT	SWIVEL		
1" - 14 UNS	1215	4140	LA10S8-10-T2	Zinc
			LA10S8-10-T2T3	Zinc †
7/8" - 14 UNF	1215	4140	LA10S7-10-T2	Zinc
3/4" - 16 UNF	1215	4140	LA10S6-10-T2	Zinc

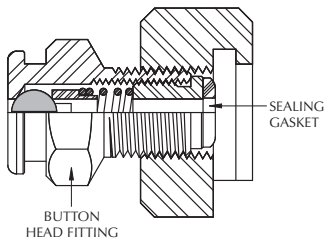
† WKM Style.

PLEASE CONSULT FACTORY FOR PRODUCT AVAILABILITIES.

# LEAK LOCK FITTINGS

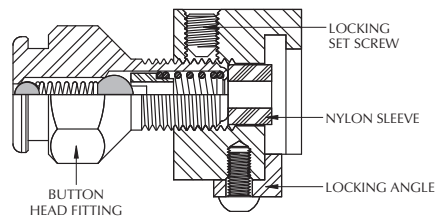
*for temporary sealing of leaking button head fittings*

## Standard Style



APPLICATION	PART NO.
For Giant Button Heads	LL1
For Standard Button Heads	LL2

## Nylon Insert / Lock-On Style

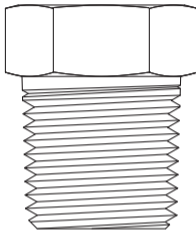


APPLICATION	PART NO.
For Giant Button Heads	LL1-NL
For Standard Button Heads	LL2-NL

PLEASE CONSULT FACTORY FOR PRODUCT AVAILABILITIES. \*\*CA=AISI 52100 Chrome Alloy ~ Other materials and plating available upon request.

# Cavity Plugs

---



THREAD SIZE	MATERIAL	PART NO.	HEAT TREATMENT	PLATING
1" NPT	1215	CP1	- - -	Zinc
	316 SS	CP1-2	Annealed (NACE)	- - -
	4140	CP1-3	Rc 22 Max (NACE)	Zinc
3/4" NPT	1215	CP34	- - -	Zinc
	316 SS	CP34-2	Annealed (NACE)	- - -
	4140	CP34-3	Rc 22 Max (NACE)	Zinc
1/2" NPT	1215	CP12	- - -	Zinc
	316 SS	CP12-2	Annealed (NACE)	- - -
	4140	CP12-3	Rc 22 Max (NACE)	Zinc