

BODY VENT (BLEEDER) FITTINGS

Standard Hex Head Style

THREAD SIZE	MATERIAL	PART NO.	HEX SIZE	OAL	PLATING	HEAT TREATMENT	BALL
1-1/2" NPT	1215	BV10N12-10	2"	2-5/8"	Zinc	- - -	440 SS
	316 SS	BV10N12-C0	2"	2-5/8"	Zinc	Annealed (NACE)	**TC
	4140	BV10N12-80				Rc 22 Max (NACE)	
1-1/4" NPT	1215	BV10N10-10	1-3/4"	2-5/16"	Zinc	- - -	440 SS
	316 SS	BV10N10-C0	1-3/4"	2-5/16"	Zinc	Annealed (NACE)	TC
	4140	BV10N10-80				Rc 22 Max (NACE)	
1" NPT	1215	BV10N8-10	1-5/16"	2-3/16"	Zinc	- - -	440 SS
	316 SS	BV10N8-C0	1-5/16"	2-3/16"	Zinc	Annealed (NACE)	TC
	4140	BV10N8-80				Rc 22 Max (NACE)	
3/4" NPT	1215	BV10N6-10	1-1/8"	1-5/8"	Zinc	- - -	440 SS
	316 SS	BV10N6-C0	1-1/8"	1-5/8"	Zinc	Annealed (NACE)	TC
	4140	BV10N6-80				Rc 22 Max (NACE)	
1/2" NPT	1215	BV10N4-10	7/8"	1-1/2"	Zinc	- - -	440 SS
	316 SS	BV10N4-C0	7/8"	1-1/2"	Zinc	Annealed (NACE)	TC
	4140	BV10N4-80				Rc 22 Max (NACE)	
3/8" NPT	1215	BV10N3-10	7/8"	1-9/16"	Zinc	- - -	440 SS
	316 SS	BV10N3-C0	7/8"	1-9/16"	Zinc	Annealed (NACE)	TC
	4140	BV10N3-80				Rc 22 Max (NACE)	
1/4" NPT	1215	BV10N2-10	7/8"	1-5/8"	Zinc	- - -	440 SS
	316 SS	BV10N2-C0	7/8"	1-5/8"	Zinc	Annealed (NACE)	TC
	4140	BV10N2-80				Rc 22 Max (NACE)	

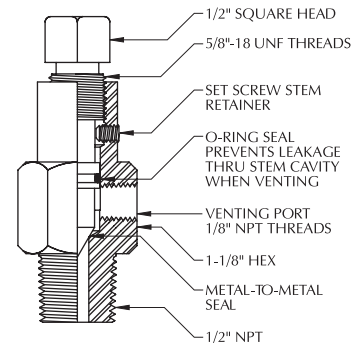
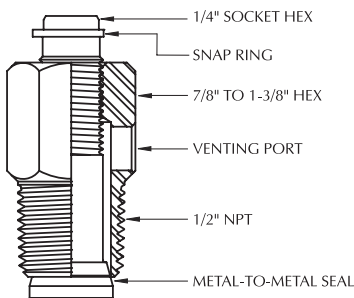
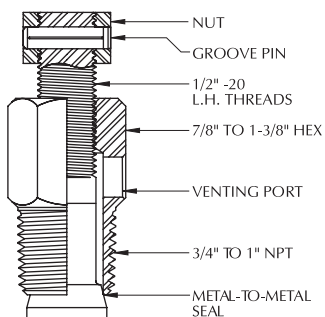
For Service to 10,000 PSI

Hex Socket Head Style

THREAD SIZE	MATERIAL	PART NO.	HEX SIZE	OAL	PLATING	HEAT TREATMENT	BALL
3/4" NPT	1215	BV10N6-10-T1	1-1/8"	1-5/8"	Zinc	- - -	440 SS
	316 SS	BV10N6-C0-T1	1-1/8"	1-5/8"	Zinc	Annealed (NACE)	**TC
	4140	BV10N6-80-T1				Rc 22 Max (NACE)	
1/2" NPT	1215	BV10N4-10-T1	7/8"	1-1/2"	Zinc	- - -	440 SS
	316 SS	BV10N4-C0-T1	7/8"	1-1/2"	Zinc	Annealed (NACE)	TC
	4140	BV10N4-80-T1				Rc 22 Max (NACE)	
3/8" NPT	1215	BV10N3-10-T1	7/8"	1-9/16"	Zinc	- - -	440 SS
	316 SS	BV10N3-C0-T1	7/8"	1-9/16"	Zinc	Annealed (NACE)	TC
	4140	BV10N3-80-T1				Rc 22 Max (NACE)	
1/4" NPT	1215	BV10N2-10-T1	7/8"	1-5/8"	Zinc	- - -	440 SS
	316 SS	BV10N2-C0-T1	7/8"	1-5/8"	Zinc	Annealed (NACE)	TC
	4140	BV10N2-80-T1				Rc 22 Max (NACE)	

For Service to 10,000 PSI

Optional Style of Body Vent (Bleeder) Fittings



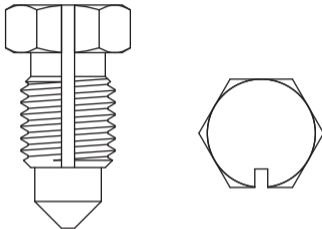
THREAD SIZE	MATERIAL		PART NO.
	BODY	STEM	
1" NPT	1018	4140	BV1-C-10
	316 SS	K-Monel®	BV1-C-2
3/4" NPT	1018	4140	BV34-C-10
	316 SS	K-Monel®	BV34-C-2

THREAD SIZE	MATERIAL		PART NO.
	BODY	STEM	
1/2" NPT	1018	4140	BV12-C-10-Y2
	316 SS	17-4pH	BV12-C-2-Y2

THREAD SIZE	MATERIAL		PART NO.
	BODY	STEM	
1/2" NPT	12L14	316 SS	BV16N4-20
	1018	316 SS	BV16N4-30
	316 SS	316 SS	BV16N4-C0

PLEASE CONSULT FACTORY FOR PRODUCT AVAILABILITIES. **TC=Tungsten Carbide ~ Other materials and plating available upon request.

Packing Injection / Bleeder Plugs



THREAD SIZE	MATERIAL	PART NO.	HEAT TREATMENT	PLATING
7/8" - 9 UNC	1215	PIBP78	- - -	Zinc
	4140	PIBP78-3	Rc 22 Max (NACE)	Zinc
	17-4 pH	PIBP78-17	HH1150 (NACE)	- - -
1/2" - 13 UNC	1215	PIBP12	- - -	Zinc
	4140	PIBP12-3	Rc 22 Max (NACE)	Zinc
	17-4 pH	PIBP12-17	HH1150 (NACE)	- - -