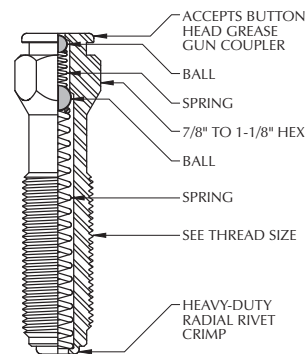


# COMBINATION LUBRICANT/STICK INJECTORS

## Double Ball Check

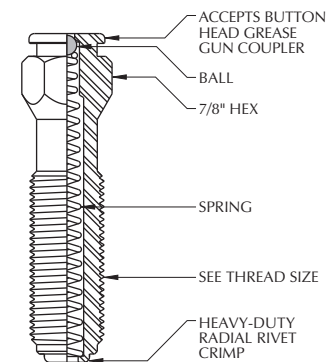
THREAD SIZE	MATERIAL	PART NO.	PLATING	HEAT TREATMENT	BALL	SPRING	OAL
3/4" NPSM	1215	CL11P6-10	Zinc	- - -	**CA	302 SS	4-5/8"
	316 SS	CL11P6-C0	- - -	Annealed (NACE)	K-Monel®	Inconel X-750	4-5/8"
1/2" NPSM	1215	CL11P4-10	Zinc	- - -	CA	302 SS	3-9/16"
	316 SS	CL11P4-C0	- - -	Annealed (NACE)	K-Monel®	Inconel X-750	3-9/16"
3/8" NPSM	1215	CL11P3-10	Zinc	- - -	CA	302 SS	3-1/4"
	316 SS	CL11P3-C0	- - -	Annealed (NACE)	K-Monel®	Inconel X-750	3-1/4"
1/4" NPSM	1215	CL11P2-10	Zinc	- - -	CA	302 SS	2-7/16"
	316 SS	CL11P2-C0	- - -	Annealed (NACE)	K-Monel®	Inconel X-750	2-7/16"
7/8" - 9 UNC	1215	CL16S7-10	Zinc	- - -	CA	302 SS	3-1/8"
3/4" - 10 UNC	1215	CL14S6-10	Zinc	- - -	CA	302 SS	3-1/16"
5/8" - 11 UNC	1215	CL15S5-10	Zinc	- - -	CA	302 SS	2-7/8"



*For Service to 10,000 PSI*

## Single Ball Check

THREAD SIZE	MATERIAL	PART NO.	PLATING	HEAT TREATMENT	BALL	SPRING	OAL
3/4" NPSM	1215	CL10P6-10	Zinc	- - -	**CA	302 SS	4-3/4"
	316 SS	CL10P6-C0	- - -	Annealed (NACE)	K-Monel®	Inconel X-750	4-3/4"
1/2" NPSM	1215	CL10P4-10	Zinc	- - -	CA	302 SS	3-5/8"
	316 SS	CL10P4-C0	- - -	Annealed (NACE)	K-Monel®	Inconel X-750	3-5/8"
3/8" NPSM	1215	CL10P3-10	Zinc	- - -	CA	302 SS	3-1/32"
	316 SS	CL10P3-C0	- - -	Annealed (NACE)	K-Monel®	Inconel X-750	3-1/32"
1/4" NPSM	1215	CL10P2-10	Zinc	- - -	CA	302 SS	2-3/8"
	316 SS	CL10P2-C0	- - -	Annealed (NACE)	K-Monel®	Inconel X-750	2-3/8"
1" - 10 UNC	1215	CL21S8-10	Zinc	- - -	CA	302 SS	4-5/8"
3/4" - 10 UNC	1215	CL10S6-10	Zinc	- - -	CA	302 SS	3-9/32"
1/2" - 13 UNC	1215	CL10S4-10	Zinc	- - -	CA	302 SS	2-1/8"
3/8" - 16 UNC	1215	CL17S3-10	Zinc	- - -	CA	302 SS	1-1/2"



*For Service to 10,000 PSI*