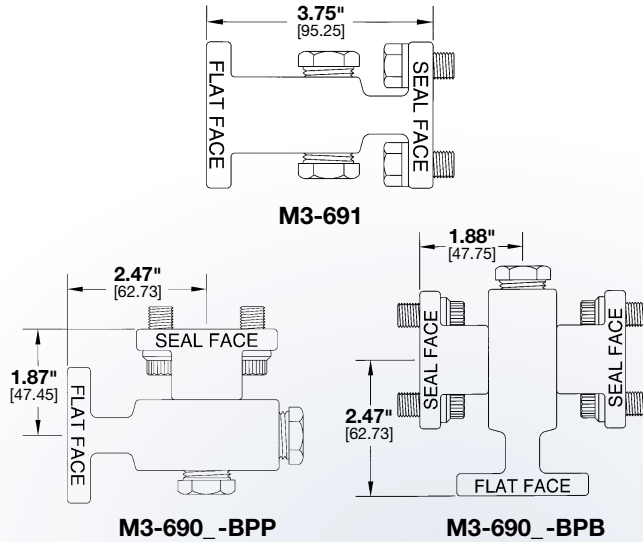
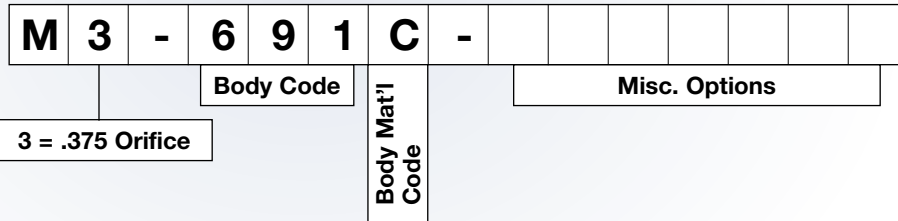
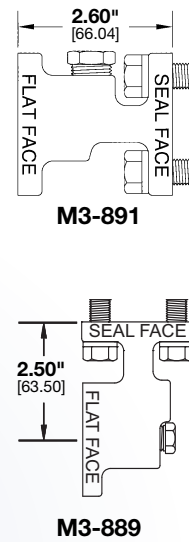


Spacers - 90° Angle and Straight Style

Standard Direct-Mount®
(1/2" [12.70] auxiliary taps)



Compact Direct-Mount®
(3/8" [9.52] auxiliary taps)



PART NUMBER	STANDARD		
M3-691C	Straight Style	Carbon Steel w/CS Bolts	5.09 lbs.
M3-691S	Straight Style	316 SS w/CS Bolts	5.15 lbs.
M3-690C-BPP	90° Style	Carbon Steel w/CS Bolts	5.92 lbs.
M3-690S-BPP	90° Style	316 SS w/CS Bolts	5.92 lbs.
M3-690C-BPB	Christmas Tree	Carbon Steel w/CS Bolts	5.92 lbs.
M3-690S-BPB	Christmas Tree	316 SS w/CS Bolts	5.92 lbs.
PART NUMBER	COMPACT		
M3-891C	Straight Style	Carbon Steel w/CS Bolts	4.44 lbs.
M3-891S	Straight Style	316 SS w/CS Bolts	4.44 lbs.
M3-889C	90° Style	Carbon Steel w/CS Bolts	6.00 lbs.
M3-889S	90° Style	316 SS w/CS Bolts	6.00 lbs.