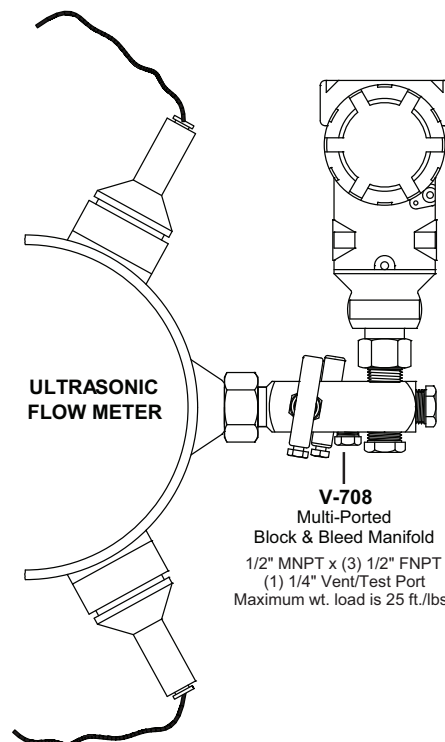
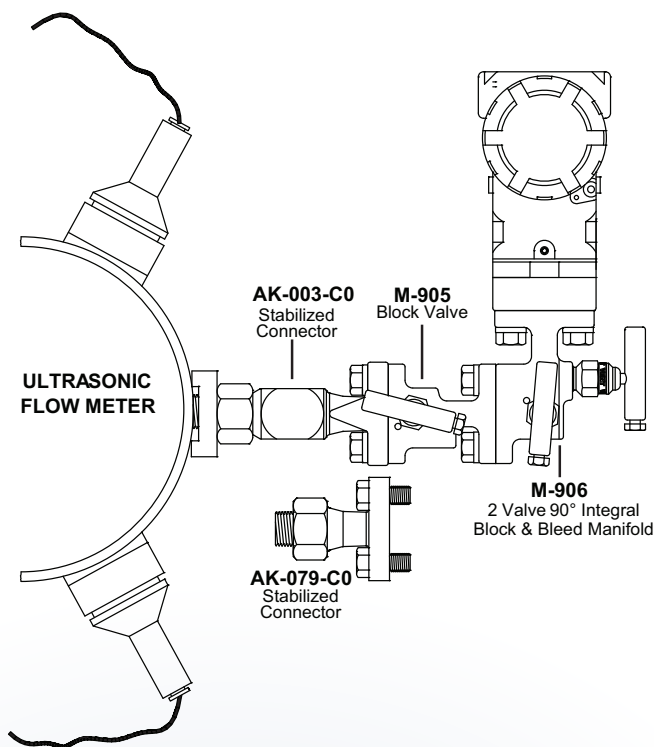


Direct Mount® Systems for UltraSonic Flow Meters



M	-	9	0	5	S	C	T	-						
Body Code		Body Mat'l Code	Seat Mat'l Code	Stem Seal Mat'l Code	Misc. Options									

A	K	-	0	0	3	-	C	0	-					
Base Kit Number									Misc. Options					

PART NUMBER	
M-905	Block Valve
M-906	2 Valve 90° Integral Block & Bleed Manifold
V-708	Multi-Ported Block & Bleed
OPTION CODE	DESCRIPTION
BODY CODE	
S	316 SS (Standard)
HARD SEAT CODE	
C	Carbide Ball (Standard)
R	Ceramic Ball
6	316 SS Ball
STEM SEAL CODE	
T	Patented Teflon® Pressure-Core® (Standard)
J	Patented Pressure-Core® (Low Temp)
P	Teflon® Packed
V	Viton® O-Ring
MISCELLANEOUS OPTIONS	
GJ	Bonnet Lock-Out (All Positions; Lock Not Provided)
MH	Viton O-Ring Flange Seals (M-905/M-906 Only)
M7	Required Slotting for Rosemount 1151 Transmitters Series 6 and Above (M-906 Only)
WA	CS 2-1/4" Bolts for Rosemount 3051C, 3095
WAW9	316 SS or 2024 with Coplanar (M-906 Only)
W9	316 SS Standard Length Flange Bolts (CS Standard)

PART NUMBER	
AK-003-C0	Used when the pressure port on the UltraSonic Flow Meter is drilled directly into the body of the meter or if a "thread-o-let" connection is used with a flat face diameter of greater than 1.75 inches. Carbon Steel Bolts; Maximum wt. load is 75 ft./lbs.
AK-079-C0	Used when the pressure port on the UltraSonic Flow Meter has a "thread-o-let" connection with a flat face diameter of less than 1.75 inches. Carbon Steel Bolts; Maximum wt. load is 75 ft./lbs.
OPTION CODE	DESCRIPTION
MISCELLANEOUS OPTIONS	
MJ	Viton® O-Ring Flange Seal
MN	Dielectric Isolation

See Pressure and Temperature Charts on Page 3