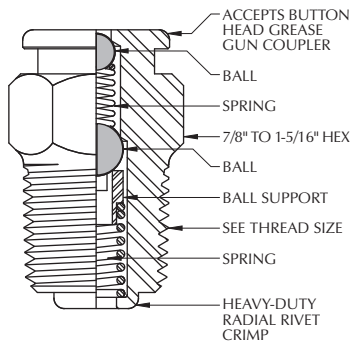


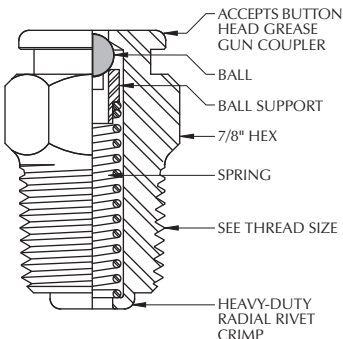
GIANT BUTTON HEAD FITTINGS

Double Ball Check



THREAD SIZE	MATERIAL	PART NO.	PLATING	HEAT TREATMENT	BALL	SPRING
1" NPT	1215	GB11N8-10	Zinc	---	**CA	302 SS
	316 SS	GB11N8-C0	---	Annealed (NACE)	K-Monel®	Inconel X-750
	4140	GB11N8-80	Zinc	Rc 22 Max (NACE)		
3/4" NPT	1215	GB11N6-10	Zinc	---	CA	302 SS
	316 SS	GB11N6-C0	---	Annealed (NACE)	K-Monel®	Inconel X-750
	4140	GB11N6-80	Zinc	Rc 22 Max (NACE)		
1/2" NPT	1215	GB11N4-10	Zinc	---	CA	302 SS
	316 SS	GB11N4-C0	---	Annealed (NACE)	K-Monel®	Inconel X-750
	4140	GB11N4-80	Zinc	Rc 22 Max (NACE)		
3/8" NPT	1215	GB11N3-10	Zinc	---	CA	302 SS
	316 SS	GB11N3-C0	---	Annealed (NACE)	K-Monel®	Inconel X-750
	4140	GB11N3-80	Zinc	Rc 22 Max (NACE)		
1/4" NPT	1215	GB11N2-10	Zinc	---	CA	302 SS
	316 SS	GB11N2-C0	---	Annealed (NACE)	K-Monel®	Inconel X-750
	4140	GB11N2-80	Zinc	Rc 22 Max (NACE)		
For Service to 10,000 PSI						
3/4" - 10 UNC	1215	GB16S6-10	Zinc	---	CA	302 SS
5/8" - 11 UNC	1215	GB17S5-10	Zinc	---	CA	302 SS

Single Ball Check



THREAD SIZE	MATERIAL	PART NO.	PLATING	HEAT TREATMENT	BALL	SPRING
1/2" NPT	1215	GB10N4-10	Zinc	---	**CA	302 SS
	316 SS	GB10N4-C0	---	Annealed (NACE)	K-Monel®	Inconel X-750
	4140	GB10N4-80	Zinc	Rc 22 Max (NACE)		
3/8" NPT	1215	GB10N3-10	Zinc	---	CA	302 SS
	316 SS	GB10N3-C0	---	Annealed (NACE)	K-Monel®	Inconel X-750
	4140	GB10N3-80	Zinc	Rc 22 Max (NACE)		
1/4" NPT	1215	GB10N2-10	Zinc	---	CA	302 SS
	316 SS	GB10N2-C0	---	Annealed (NACE)	K-Monel®	Inconel X-750
	4140	GB10N2-80	Zinc	Rc 22 Max (NACE)		
1/8" NPT	1215	GB10N1-10	Zinc	---	CA	302 SS
	316 SS	GB10N1-C0	---	Annealed (NACE)	K-Monel®	Inconel X-750
	4140	GB10N1-80	Zinc	Rc 22 Max (NACE)		
3/8" - 16 UNC	1215	GB18S3-10	Zinc	---	CA	302 SS

For Service to 10,000 PSI