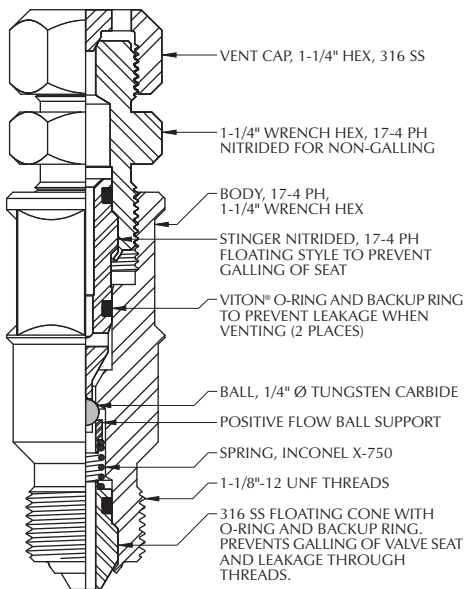


HIGH PRESSURE LUBRICATION AND SEALANT FITTINGS

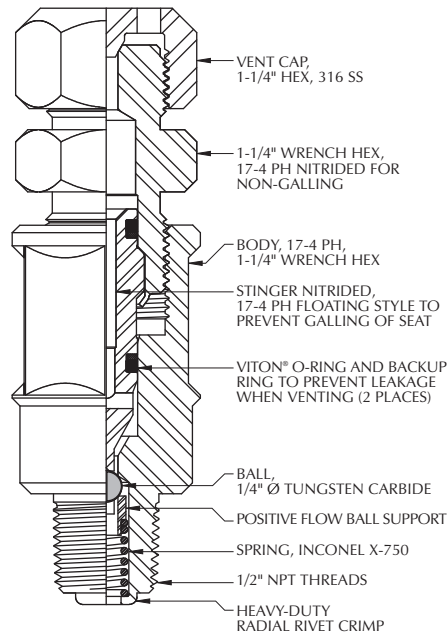
Blowdown Fitting 9/16" Autoclave Style



PART NO.
HP11S9-F0

For Service to 20,000 PSI

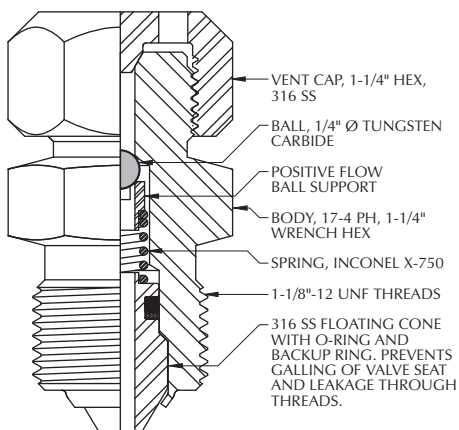
Blowdown Fitting 1/2" NPT



PART NO.
HP10N4-F0

For Service to 10,000 PSI

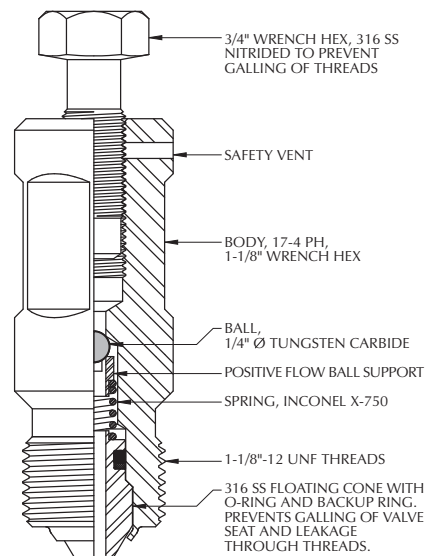
Lubrication (Sealant) Fitting 9/16" Autoclave Style



PART NO.
HP12S9-F0

For Service to 20,000 PSI

Packing Injection Fitting 9/16" Autoclave Style



PART NO.
HP13S9-F0

For Service to 20,000 PSI

PLEASE CONSULT FACTORY FOR PRODUCT AVAILABILITIES. Other materials available upon request.