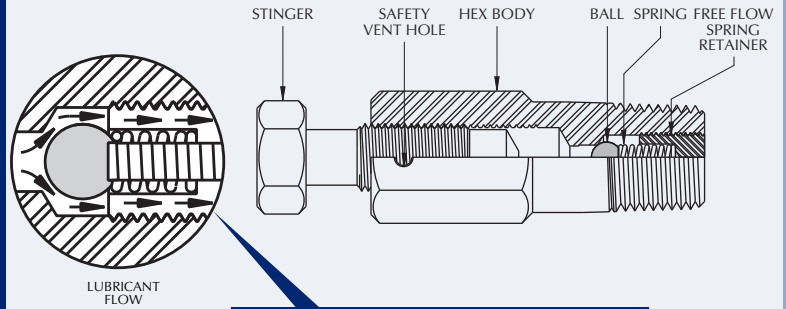


# featuring free flow design

## PACKING/BONNET INJECTION FITTINGS

The *Free Flow* design of the Body Grease Fitting has been incorporated into our Packing Injection Fittings. Compared to standard floating ball designs, the *Free Flow's* specially designed spring retainer allows even the heaviest of lubricants and/or sealant to flow freely through the Packing Injection Fitting.

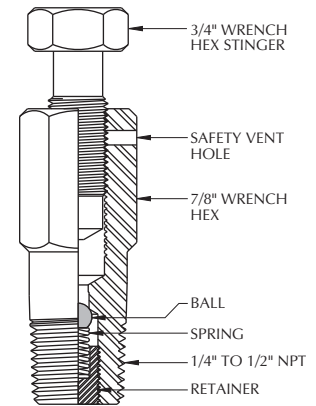
- **Positive back seating** is provided without relying on the presence of back pressure.
- **Guaranteed against "Blow Out"** when used within design limitations of the fitting. Excellent in extreme cold environments.
- **Meets latest revision of NACE** – no cold working of materials.



When the ball is off the seat, lubricant flows unrestricted around the spring and through the openings on the sides of the retainer.

### Free Flow Packing Injection Fittings

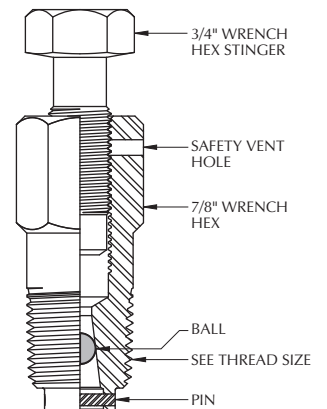
THREAD SIZE	MATERIAL	PART NO.	PLATING	HEAT TREATMENT	BALL	SPRING
1/2" NPT	1215	PF22N4-10	Zinc	---	**CA	302 SS
	316 SS	PF22N4-C0	---	Annealed (NACE)	K-Monel®	Inconel X-750
	4140	PF22N4-80	Zinc	Rc 22 Max (NACE)		
3/8" NPT	1215	PF22N3-10	Zinc	---	**CA	302 SS
	316 SS	PF22N3-C0	---	Annealed (NACE)	K-Monel®	Inconel X-750
	4140	PF22N3-80	Zinc	Rc 22 Max (NACE)		
1/4" NPT	1215	PF22N2-10	Zinc	---	**CA	302 SS
	316 SS	PF22N2-C0	---	Annealed (NACE)	K-Monel®	Inconel X-750
	4140	PF22N2-80	Zinc	Rc 22 Max (NACE)		



For Service to 10,000 PSI

### Packing Injection Fittings (Floating Ball-Taper Cavity)

THREAD SIZE	MATERIAL	PART NO.	PLATING	HEAT TREATMENT	BALL
1/2" NPT	1215	PF10N4-10	Zinc	---	**CA
	316 SS	PF10N4-C0	---	Annealed (NACE)	K-Monel®
	4140	PF10N4-80	Zinc	Rc 22 Max (NACE)	
3/8" NPT	1215	PF10N3-10	Zinc	---	**CA
	316 SS	PF10N3-C0	---	Annealed (NACE)	K-Monel®
	4140	PF10N3-80	Zinc	Rc 22 Max (NACE)	
1/4" NPT	1215	PF10N2-10	Zinc	---	**CA
	316 SS	PF10N2-C0	---	Annealed (NACE)	K-Monel®
	4140	PF10N2-80	Zinc	Rc 22 Max (NACE)	
3/4" - 10 UNC	1215	PF13S6-10	Zinc	---	302 SS
5/8" - 11 UNC	1215	PF12S5-10	Zinc	---	302 SS



For Service to 10,000 PSI

\*\*CA=AISI 52100 Chrome Alloy ~ Other materials and plating available upon request. PLEASE CONSULT FACTORY FOR PRODUCT AVAILABILITIES.