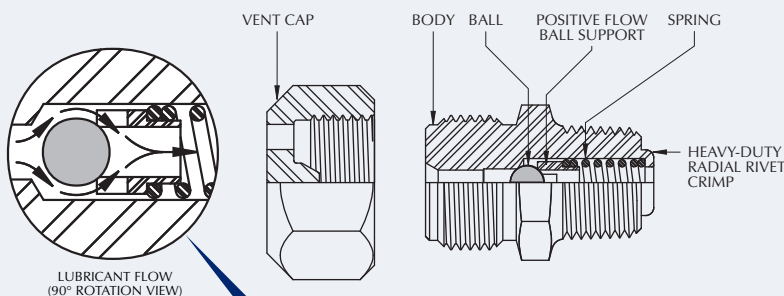


featuring positive flow ball support

VENTED CAP BODY GREASE FITTINGS

Our standard body grease fitting features the *Positive Flow Ball Support*. This design directs the flow of the lubricant and/or sealant through the center of the spring without passing through the spring coil, reducing the tendency to “pack-off.” The *Positive Flow Ball Support* is available in many other fitting styles.

Another feature of the standard body grease fitting is the heavy-duty radial rivet crimp. This special crimp provides the best “blow-out” protection of any available crimped style fitting. The radial rivet crimp process conforms to the latest revision of NACE.



Lubricant passes around the ball and through the center of the ball support and spring, without passing through the spring coil.

Vented Cap Body Grease Fittings

THREAD SIZE	MATERIAL	PART NO.	PLATING	HEAT TREATMENT	BALL	SPRING
1" NPT	1215	BG10N8-10	Zinc	---	**CA	302 SS
	316 SS	BG10N8-C0	---	Annealed (NACE)	K-Monel®	Inconel X-750
	4140	BG10N8-80	Zinc	Rc 22 Max (NACE)		
3/4" NPT	1215	BG10N6-10	Zinc	---	**CA	302 SS
	316 SS	BG10N6-C0	---	Annealed (NACE)	K-Monel®	Inconel X-750
	4140	BG10N6-80	Zinc	Rc 22 Max (NACE)		
1/2" NPT	1215	BG10N4-10	Zinc	---	**CA	302 SS
	316 SS	BG10N4-C0	---	Annealed (NACE)	K-Monel®	Inconel X-750
	4140	BG10N4-80	Zinc	Rc 22 Max (NACE)		
3/8" NPT	1215	BG10N3-10	Zinc	---	**CA	302 SS
	316 SS	BG10N3-C0	---	Annealed (NACE)	K-Monel®	Inconel X-750
	4140	BG10N3-80	Zinc	Rc 22 Max (NACE)		
1/4" NPT	1215	BG10N2-10	Zinc	---	**CA	302 SS
	316 SS	BG10N2-C0	---	Annealed (NACE)	K-Monel®	Inconel X-750
	4140	BG10N2-80	Zinc	Rc 22 Max (NACE)		

For Service to 10,000 PSI

Vented Cap Body Grease Fittings with Giant Button Head

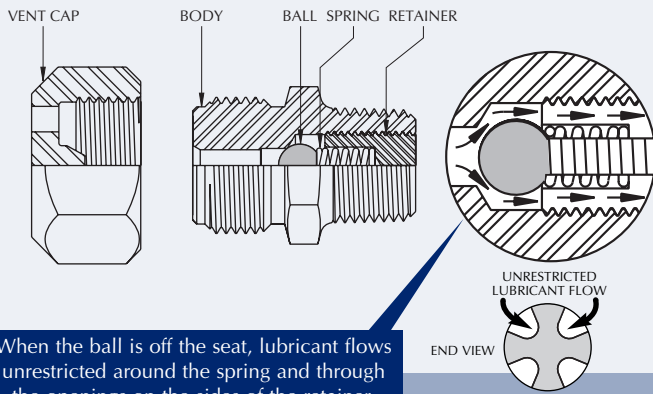
THREAD SIZE	MATERIAL	PART NO.	PLATING	HEAT TREATMENT	BALL	SPRING
1" NPT	1215	BH10N8-10	Zinc	---	**CA	302 SS
	316 SS	BH10N8-C0	---	Annealed (NACE)	K-Monel®	Inconel X-750
	4140	BH10N8-80	Zinc	Rc 22 Max (NACE)		
3/4" NPT	1215	BH10N6-10	Zinc	---	**CA	302 SS
	316 SS	BH10N6-C0	---	Annealed (NACE)	K-Monel®	Inconel X-750
	4140	BH10N6-80	Zinc	Rc 22 Max (NACE)		
1/2" NPT	1215	BH10N4-10	Zinc	---	**CA	302 SS
	316 SS	BH10N4-C0	---	Annealed (NACE)	K-Monel®	Inconel X-750
	4140	BH10N4-80	Zinc	Rc 22 Max (NACE)		
3/8" NPT	1215	BH10N3-10	Zinc	---	**CA	302 SS
	316 SS	BH10N3-C0	---	Annealed (NACE)	K-Monel®	Inconel X-750
	4140	BH10N3-80	Zinc	Rc 22 Max (NACE)		
1/4" NPT	1215	BH10N2-10	Zinc	---	**CA	302 SS
	316 SS	BH10N2-C0	---	Annealed (NACE)	K-Monel®	Inconel X-750
	4140	BH10N2-80	Zinc	Rc 22 Max (NACE)		

For Service to 10,000 PSI

PLEASE CONSULT FACTORY FOR PRODUCT AVAILABILITIES. **CA=AISI 52100 Chrome Alloy ~ Other materials and plating available upon request.

featuring free flow design

VENTED CAP BODY GREASE FITTINGS



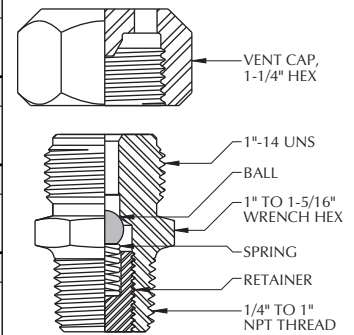
When the ball is off the seat, lubricant flows unrestricted around the spring and through the openings on the sides of the retainer.

The *Free Flow* fitting utilizes a unique spring retainer that is threaded into the body of the fitting. This special retainer also acts as a ball support and spring guide, and its design allows for the *Free Flow* of lubricants and sealant *around* the spring, instead of through it.

- **Only unrestricted flow path on the market** – the straight-line passageway significantly reduces tendency to “pack off.”
- **Guaranteed against “Blow Out”** when used within design limitations of the fitting. Excellent in extreme cold environments.
- **Increased flow rates** due to the unrestricted flow path.
- **Meets latest revision of NACE** – no cold working of materials.

Free Flow Vented Cap Body Grease Fittings

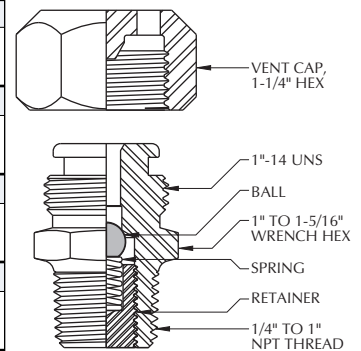
THREAD SIZE	MATERIAL	PART NO.	PLATING	HEAT TREATMENT	BALL	SPRING
1" NPT	1215	BG22N8-10	Zinc	---	**CA	302 SS
	316 SS	BG22N8-C0	---	Annealed (NACE)	K-Monel®	Inconel X-750
	4140	BG22N8-80	Zinc	Rc 22 Max (NACE)		
3/4" NPT	1215	BG22N6-10	Zinc	---	**CA	302 SS
	316 SS	BG22N6-C0	---	Annealed (NACE)	K-Monel®	Inconel X-750
	4140	BG22N6-80	Zinc	Rc 22 Max (NACE)		
1/2" NPT	1215	BG22N4-10	Zinc	---	**CA	302 SS
	316 SS	BG22N4-C0	---	Annealed (NACE)	K-Monel®	Inconel X-750
	4140	BG22N4-80	Zinc	Rc 22 Max (NACE)		
3/8" NPT	1215	BG22N3-10	Zinc	---	**CA	302 SS
	316 SS	BG22N3-C0	---	Annealed (NACE)	K-Monel®	Inconel X-750
	4140	BG22N3-80	Zinc	Rc 22 Max (NACE)		
1/4" NPT	1215	BG22N2-10	Zinc	---	**CA	302 SS
	316 SS	BG22N2-C0	---	Annealed (NACE)	K-Monel®	Inconel X-750
	4140	BG22N2-80	Zinc	Rc 22 Max (NACE)		



For Service to 10,000 PSI

Free Flow Vented Cap Body Grease Fittings with Giant Button Head

THREAD SIZE	MATERIAL	PART NO.	PLATING	HEAT TREATMENT	BALL	SPRING
1" NPT	1215	BH22N8-10	Zinc	---	**CA	302 SS
	316 SS	BH22N8-C0	---	Annealed (NACE)	K-Monel®	Inconel X-750
	4140	BH22N8-80	Zinc	Rc 22 Max (NACE)		
3/4" NPT	1215	BH22N6-10	Zinc	---	**CA	302 SS
	316 SS	BH22N6-C0	---	Annealed (NACE)	K-Monel®	Inconel X-750
	4140	BH22N6-80	Zinc	Rc 22 Max (NACE)		
1/2" NPT	1215	BH22N4-10	Zinc	---	**CA	302 SS
	316 SS	BH22N4-C0	---	Annealed (NACE)	K-Monel®	Inconel X-750
	4140	BH22N4-80	Zinc	Rc 22 Max (NACE)		
3/8" NPT	1215	BH22N3-10	Zinc	---	**CA	302 SS
	316 SS	BH22N3-C0	---	Annealed (NACE)	K-Monel®	Inconel X-750
	4140	BH22N3-80	Zinc	Rc 22 Max (NACE)		
1/4" NPT	1215	BH22N2-10	Zinc	---	**CA	302 SS
	316 SS	BH22N2-C0	---	Annealed (NACE)	K-Monel®	Inconel X-750
	4140	BH22N2-80	Zinc	Rc 22 Max (NACE)		



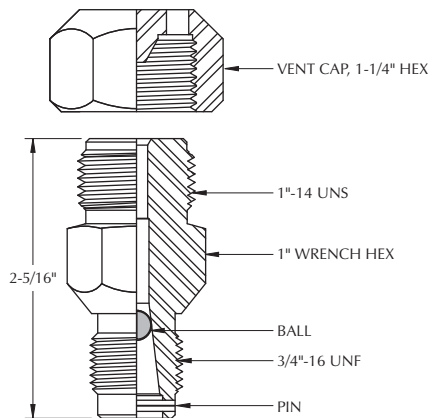
For Service to 10,000 PSI

**CA=AISI 52100 Chrome Alloy ~ Other materials and plating available upon request. PLEASE CONSULT FACTORY FOR PRODUCT AVAILABILITIES.

with floating ball-taper cavity

VENTED CAP BODY GREASE FITTINGS

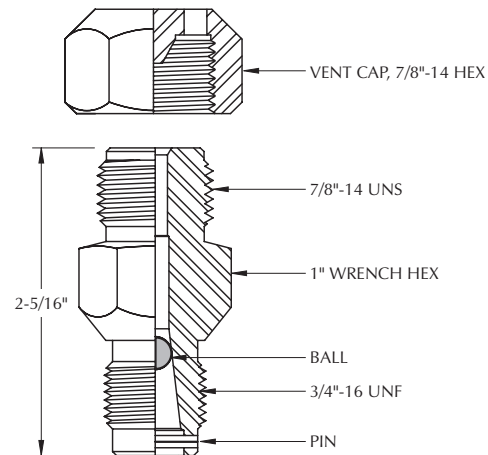
McEvoy® Style Compound Fittings



3/4" - 16 UNF ENGAGEMENT THREAD
1" - 14 UNS CAP THREAD

MATERIAL	PART NO.	PLATING	HEAT TREATMENT	BALL
1215	BGF1-MCE	Zinc	---	**CA
316 SS	BGF1-MCE-2	---	Annealed (NACE)	K-Monel®
4140	BGF1-MCE-3	Zinc	Rc 22 Max (NACE)	K-Monel®

McEvoy® Style Grease Fittings



3/4" - 16 UNF ENGAGEMENT THREAD
7/8" - 14 UNS CAP THREAD

MATERIAL	PART NO.	PLATING	HEAT TREATMENT	BALL
1215	BGF78-MCE	Zinc	---	**CA
316 SS	BGF78-MCE-2	---	Annealed (NACE)	K-Monel®
4140	BGF78-MCE-3	Zinc	Rc 22 Max (NACE)	K-Monel®