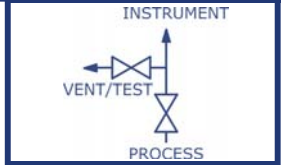




2-Valve Block & Bleed Static Pressure Manifolds

**HARD & SOFT SEAT
NPT x NPT**



SOFT "WASHER" SEATS: .136" Orifice



Features

- PGI "Washer" Seat

Benefits

- Throttling and shut-off design
- Interchangeable between soft or metal seats
- Easily replaced
- Available in a variety of materials

INTEGRAL METAL TO METAL SEAT: .136" Orifice



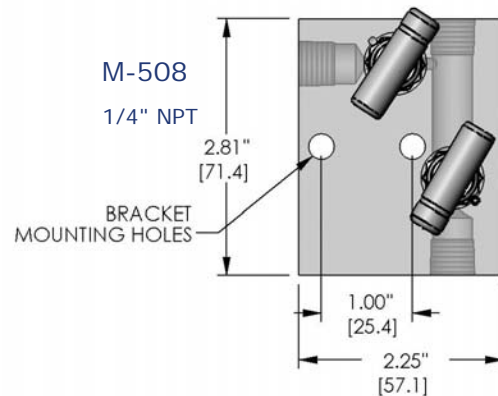
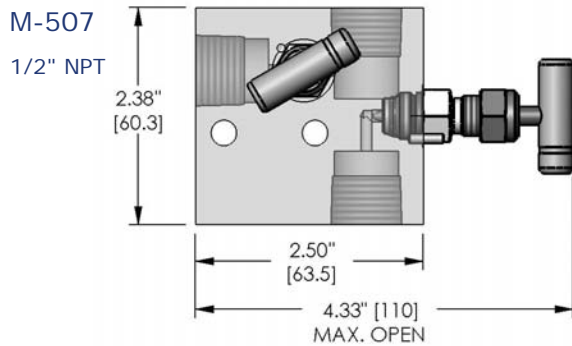
Features

- PGI Integral Metal Seat

Benefits

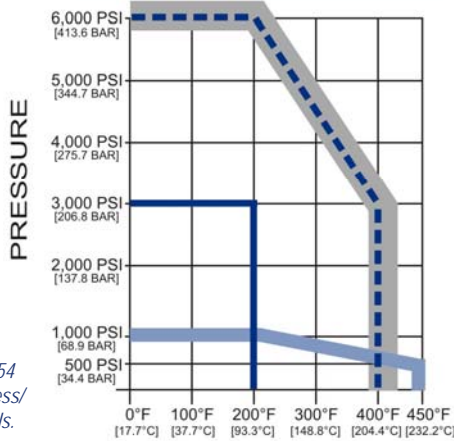
- Throttling and shut-off design
- Interchangeable between soft or metal seats

Dimensions, inches [mm]



Pressure vs. Temperature

SEATS			
Delrin® or Kel-F®	—	Metal (Teflon®)	—
PEEK®	- - -	Metal (Viton®)	—



See page 54 for more press/ temp details.

PROCESS TEMPERATURE

Part Number Selection

Base Model

Process x Instrument x Vent		
M-	507	1/2" FNPT x 1/2" FNPT x 1/2" FNPT
M-	508	1/4" FNPT x 1/4" FNPT x 1/4" NPT

Body Material Code

C	ASTM A108
S	ASTM A479-316 SS

Seat Material Code

M	Integral Metal (Standard)
D	Delrin® (Standard)
K	Kel-F®
P	Peek®

Stem Packing/Seal Code

T	Teflon® (Below threads)
V	Viton® O-Ring

M- - Options [pages 49-50]

Materials of Construction

Part	Carbon Steel	A696 Carbon Steel*	316 Stainless Steel
Body / Bonnet	ASTM A108	ASTM A696 Gr.C	ASTM A479-316
Packing "P" / "V"	Teflon®/Viton® O-Ring	Teflon®/Viton® O-Ring	Teflon®/Viton® O-Ring
Stem	ASTM A479-316	ASTM A479-316	ASTM A479-316
Packing Adjuster	ASTM A696 Gr.C	ASTM A696 Gr.C	ASTM A479-316
Packing Follower	ASTM A479-316	ASTM A479-316	ASTM A479-316
Jam Nut (TFE Packed Only)	ASTM A696 Gr.C	ASTM A696 Gr.C	ASTM A582-303
Handle Assembly	ASTM A108	ASTM A108	300 Series SS

Max Cv Ratings

.136" Orifice	Straight Body Style
	.25 = Integral Metal Seat .22 = Soft Washer

Approx. Manifold Weight:
2.7 lbs. [1.22 kg] ea. (M-507)
2.4 lbs. [1.08 kg] ea. (M-508)

* Barstock equivalent of ASTM A105

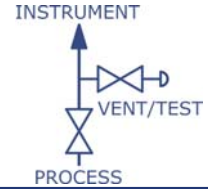
Notes

- PGI Carbon Steel products are Alkaline Zinc plated for corrosion prevention
- PGI 316 SS products meet the requirements of NACE MR0175/ISO 15156-3
- 100% Pressure Tested
- Carbon Steel Weld End Connection Bodies are ASTM A696 Gr.C



2-Valve Block & Bleed Static Pressure Manifold

HARD SEAT
1/2" FNPT x 1/2" FNPT



HARD BALL SEAT: .187" Orifice



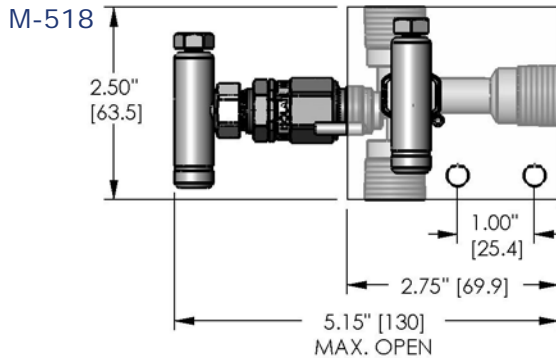
Features

- PGI Standard 316 SS Ball Seat

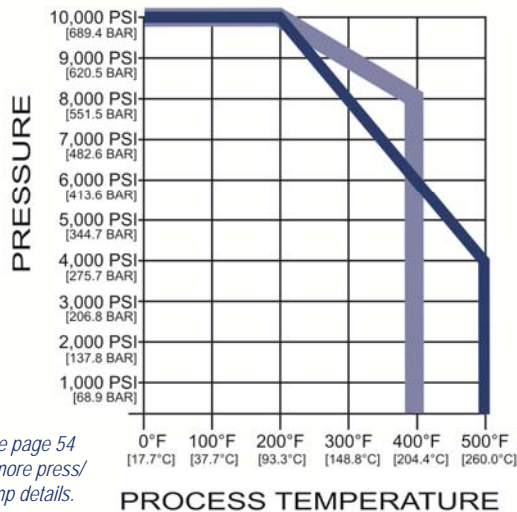
Benefits

- Non-rotating ball eliminates seat galling and ball creasing
- Leak free, bubble tight seating
- Available in a variety of materials

Dimensions, inches [mm]



Pressure vs. Temperature



See page 54 for more press/ temp details.

Part Number Selection

Base Model

M-518 1/2" FNPT x 1/2" FNPT x 1/2" NPT

Body Material Code

C	ASTM A108
S	ASTM A479-316 SS
P	ASTM A696*

Seat Material Code

6	316 SS Ball (Standard)
C	Carbide Ball
N	Monel®

Stem Packing/Seal Code

P	Teflon® (Below threads)
V	Viton® O-Ring

M-518 - Options [pages 49-50]

Materials of Construction

Part	Carbon Steel	A696 Carbon Steel*	316 Stainless Steel
Body / Bonnet	ASTM A108	ASTM A696 Gr.C	ASTM A479-316
Packing "P" / "V"	Teflon®/Viton® O-Ring	Teflon®/Viton® O-Ring	Teflon®/Viton® O-Ring
Stem	ASTM A479-316	ASTM A479-316	ASTM A479-316
Packing Adjuster	ASTM A696 Gr.C	ASTM A696 Gr.C	ASTM A479-316
Packing Follower	ASTM A479-316	ASTM A479-316	ASTM A479-316
Jam Nut (TFE Packed Only)	ASTM A696 Gr.C	ASTM A696 Gr.C	ASTM A582-303
Handle Assembly	ASTM A108	ASTM A108	300 Series SS

Max Cv Ratings

.187" Orifice	Straight Body Style
	.53

Approx. Manifold Weight:
3.1 lbs. [1.40 kg] ea.

* Barstock equivalent of ASTM A105

Notes

- PGI Carbon Steel products are Alkaline Zinc plated for corrosion prevention
- PGI 316 SS products meet the requirements of NACE MR0175/ISO 15156-3
- 100% Pressure Tested
- Carbon Steel Weld End Connection Bodies are ASTM A696 Gr.C CS



2-Valve Block & Bleed Static Pressure Manifold

SOFT SEAT
1/2" FNPT x 1/2" FNPT

SOFT SEAT: .187" Orifice

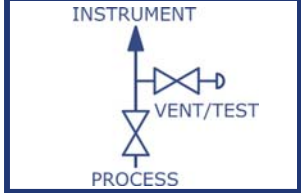


Features

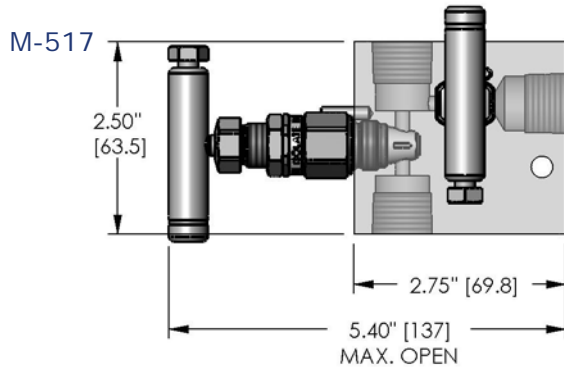
- PGI Soft Cone Seat

Benefits

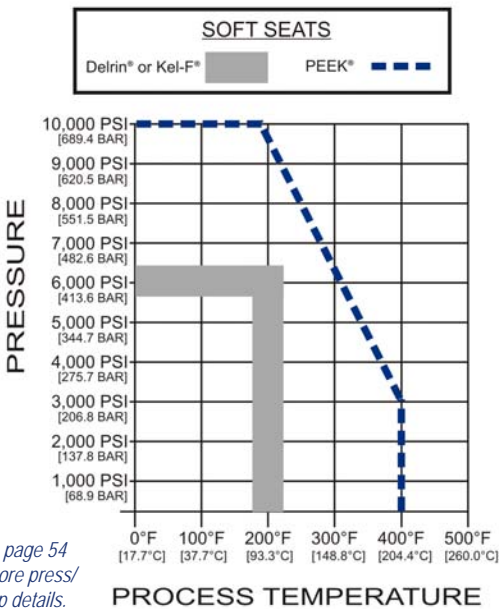
- Roddable straight-through design
- Leak free, bubble tight seating
- Easily replaced
- Available in a variety of materials
- Bi-directional flow



Dimensions, inches [mm]



Pressure vs. Temperature



See page 54 for more press/temp details.

Part Number Selection

Base Model

M-517	1/2" FNPT x 1/2" FNPT x 1/2" NPT
Body Material Code	
C	ASTM A108
S	ASTM A479-316 SS
P	ASTM A696*
Seat Material Code	
D	Delrin® (Standard)
K	Kel-F®
P	Peek®
Stem Packing/Seal Code	
P	Teflon® (Below threads)
V	Viton® O-Ring
M-517	- Options [pages 49-50]

Materials of Construction

Part	Carbon Steel	A696 Carbon Steel*	316 Stainless Steel
Body / Bonnet	ASTM A108	ASTM A696 Gr.C	ASTM A479-316
Packing "P" / "V"	Teflon®/Viton® O-Ring	Teflon®/Viton® O-Ring	Teflon®/Viton® O-Ring
Stem	ASTM A479-316	ASTM A479-316	ASTM A479-316
Packing Adjuster	ASTM A696 Gr.C	ASTM A696 Gr.C	ASTM A479-316
Packing Follower	ASTM A479-316	ASTM A479-316	ASTM A479-316
Jam Nut (TFE Packed Only)	ASTM A696 Gr.C	ASTM A696 Gr.C	ASTM A582-303
Handle Assembly	ASTM A108	ASTM A108	300 Series SS

Max Cv Ratings

.187" Orifice	Straight Body Style
	.83

Approx. Manifold Weight:
3.1 lbs. [1.40 kg] ea.

* Barstock equivalent of ASTM A105

Notes

- PGI Carbon Steel products are Alkaline Zinc plated for corrosion prevention
- PGI 316 SS products meet the requirements of NACE MR0175/ISO 15156-3
- 100% Pressure Tested
- Carbon Steel Weld End Connection Bodies are ASTM A696 Gr.C



2-Valve Block & Bleed Static Pressure Manifolds

HARD SEAT
1/2" FNPT x Flange

HARD BALL SEAT: .187" Orifice



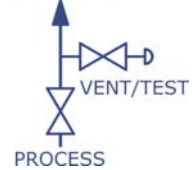
Features

- PGI Standard 316 SS Ball Seat

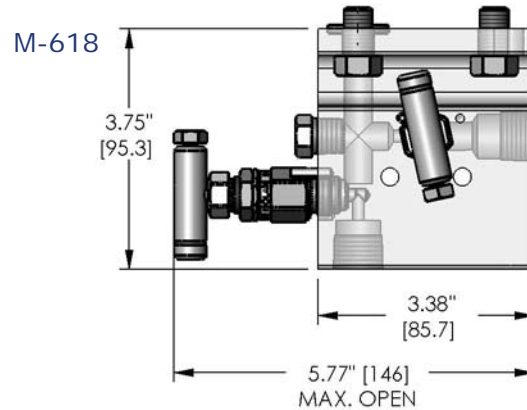
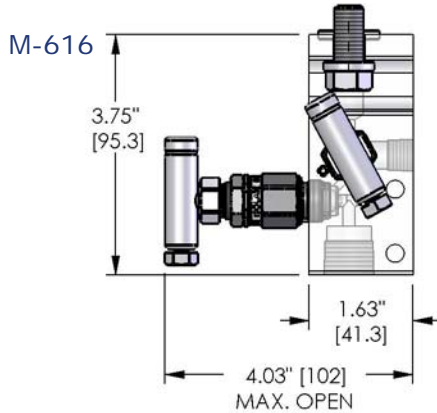
Benefits

- Non-rotating ball eliminates seat galling and ball creasing
- Leak free, bubble tight seating
- Available in a variety of materials

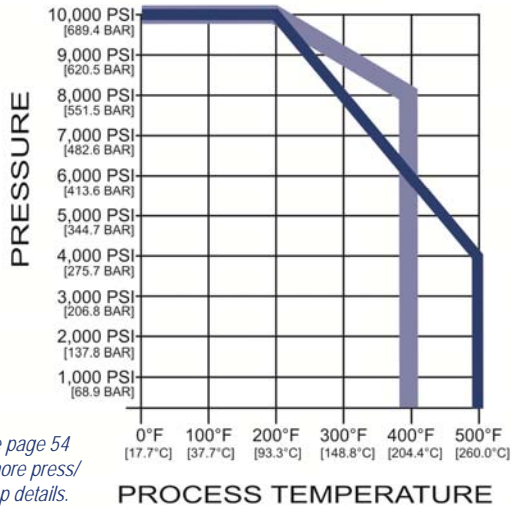
INSTRUMENT



Dimensions, inches [mm]



Pressure vs. Temperature



See page 54 for more press/ temp details.

Part Number Selection

Base Model

Process x Instrument x Vent		
M-	616	1/2" FNPT x Flange x 1/4" NPT Slim Body
M-	618	1/2" FNPT x Flange x 1/2" NPT Standard Body

Body Material Code

C	ASTM A108
S	ASTM A276-316 SS
P	ASTM A696*

Seat Material Code

6	316 SS Ball (Standard)
C	Carbide Ball
N	Monel®

Stem Packing/Seal Code

P	Teflon® (Below threads)
V	Viton® O-Ring

M- - Options [pages 49-50]

Materials of Construction

Part	Carbon Steel	A696 Carbon Steel*	316 Stainless Steel
Body / Bonnet	ASTM A108	ASTM A696 Gr.C	ASTM A276-316
Packing "P" / "V"	Teflon®/Viton® O-Ring	Teflon®/Viton® O-Ring	Teflon®/Viton® O-Ring
Stem	ASTM A479-316	ASTM A479-316	ASTM A479-316
Packing Adjuster	ASTM A696 Gr.C	ASTM A696 Gr.C	ASTM A479-316
Packing Follower	ASTM A479-316	ASTM A479-316	ASTM A479-316
Jam Nut (TFE Packed Only)	ASTM A696 Gr.C	ASTM A696 Gr.C	ASTM A582-303
Handle Assembly	ASTM A108	ASTM A108	300 Series SS

Max Cv Ratings

.187" Orifice	Straight Body Style
	.53

Approx. Manifold Weight:
2.60 lbs. [1.17 kg] ea. (M-616)
5.00 lbs. [2.26 kg] ea. (M-618)

* Barstock equivalent of ASTM A105

Notes

- PGI Carbon Steel products are Alkaline Zinc plated for corrosion prevention
- PGI 316 SS products meet the requirements of NACE MR0175/ISO 15156-3
- 100% Pressure Tested
- Carbon Steel Weld End Connection Bodies are ASTM A696 Gr.C



2-Valve Block & Bleed Static Pressure Manifolds

SOFT SEAT
1/2" FNPT x Flange

SOFT SEAT: .187" Orifice

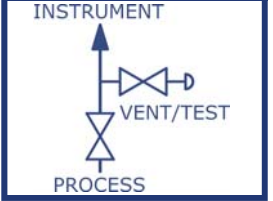


Features

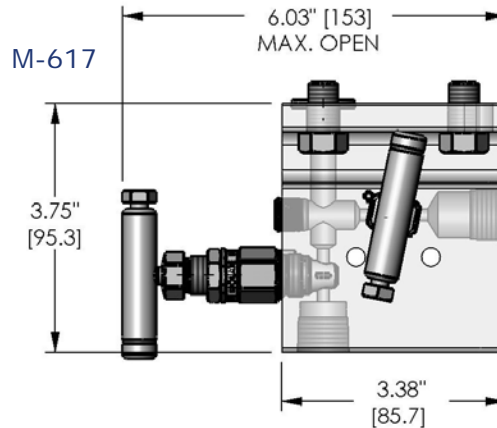
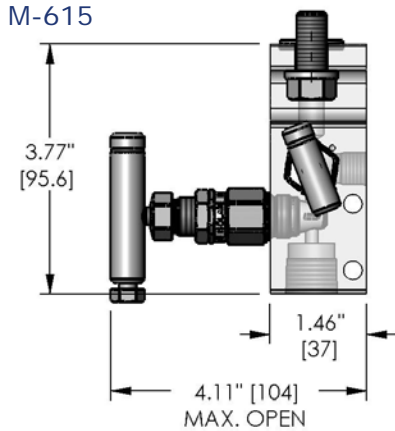
- PGI Soft Cone Seat

Benefits

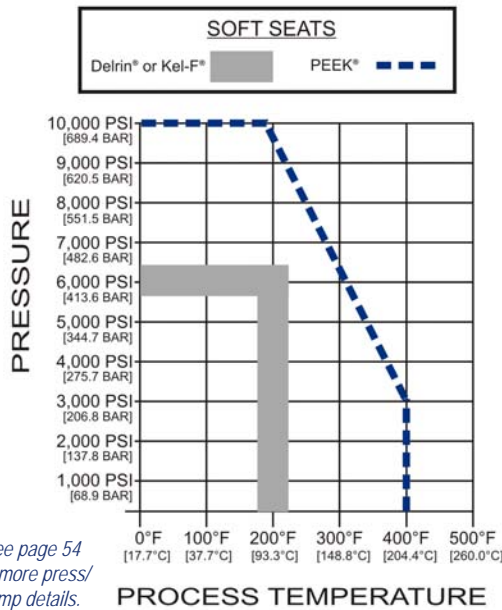
- Roddable straight-through design
- Leak free, bubble tight seating
- Easily replaced
- Available in a variety of materials
- Bi-directional flow



Dimensions, inches [mm]



Pressure vs. Temperature



See page 54 for more press/ temp details.

Part Number Selection

Base Model		<i>Process x Instrument x Vent</i>	
M-	615	1/2" FNPT x Flange x 1/4" NPT Slim Body	
M-	617	1/2" FNPT x Flange x 1/2" NPT Standard Body	
Body Material Code			
C	ASTM A108		
S	ASTM A276-316 SS		
P	ASTM A696*		
Seat Material Code			
D	Delrin® (Standard)		
K	Kel-F®		
P	Peek®		
Stem Packing/Seal Code			
P	Teflon® (Below threads)		
V	Viton® O-Ring		
M-		-	Options [pages 49-50]

Materials of Construction

Part	Carbon Steel	A696 Carbon Steel*	316 Stainless Steel
Body / Bonnet	ASTM A108	ASTM A696 Gr.C	ASTM A276-316
Packing "P" / "V"	Teflon®/Viton® O-Ring	Teflon®/Viton® O-Ring	Teflon®/Viton® O-Ring
Stem	ASTM A479-316	ASTM A479-316	ASTM A479-316
Packing Adjuster	ASTM A696 Gr.C	ASTM A696 Gr.C	ASTM A479-316
Packing Follower	ASTM A479-316	ASTM A479-316	ASTM A479-316
Jam Nut (TFE Packed Only)	ASTM A696 Gr.C	ASTM A696 Gr.C	ASTM A582-303
Handle Assembly	ASTM A108	ASTM A108	300 Series SS

Max Cv Ratings

.187" Orifice	Straight Body Style
	.83

Approx. Manifold Weight:
2.60 lbs. [1.17 kg] ea. (M-615)
5.00 lbs. [2.26 kg] ea. (M-617)

* Barstock equivalent of ASTM A105

Notes

- PGI Carbon Steel products are Alkaline Zinc plated for corrosion prevention
- PGI 316 SS products meet the requirements of NACE MR0175/ISO 15156-3
- 100% Pressure Tested
- Carbon Steel Weld End Connection Bodies are ASTM A696 Gr.C

