



# Instrument Needle Valve - 90° Angle Style

**SOFT SEAT**

SOFT SEAT: .187" Orifice



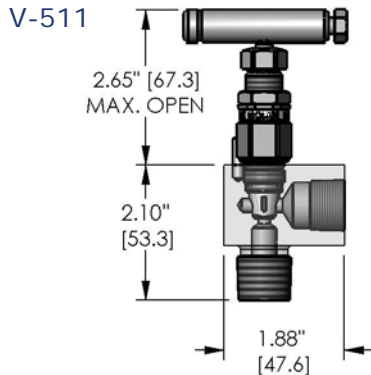
**Features**

- PGI Soft Cone Seat

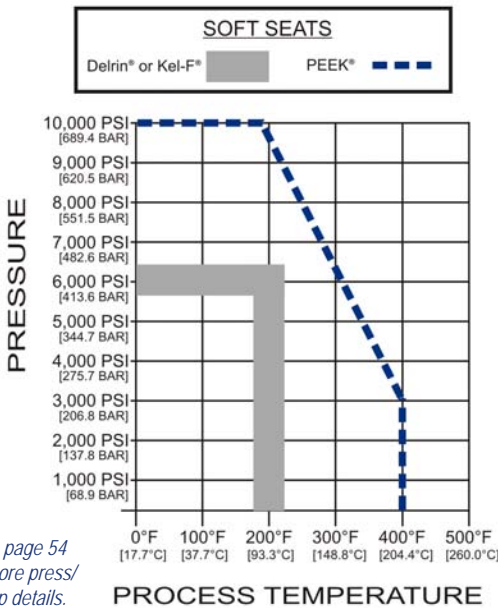
**Benefits**

- Roddable design
- Leak free, bubble tight seating
- Easily replaced
- Available in a variety of materials
- Bi-directional flow

**Dimensions, inches [mm]**



**Pressure vs. Temperature**



**Part Number Selection**

Base Model

<i>Bi-Directional Flow</i>	
V-511	1/2" MNPT x 1/2" FNPT

Body Material Code

C	ASTM A108
S	ASTM A479-316 SS
P	ASTM A696*

Seat Material Code

D	Delrin® (Standard)
K	Kel-F®
P	Peek®

Stem Packing/Seal Code

P	Teflon® (Below threads)
V	Viton® O-Ring

V-511 - Options [pages 49-50]

**Materials of Construction**

Part	Carbon Steel	A696 Carbon Steel*	316 Stainless Steel
Body / Bonnet	ASTM A108	ASTM A696 Gr.C	ASTM A479-316
Packing "P" / "V"	Teflon®/Viton® O-Ring	Teflon®/Viton® O-Ring	Teflon®/Viton® O-Ring
Stem	ASTM A479-316	ASTM A479-316	ASTM A479-316
Packing Adjuster	ASTM A696 Gr.C	ASTM A696 Gr.C	ASTM A479-316
Packing Follower	ASTM A479-316	ASTM A479-316	ASTM A479-316
Jam Nut (TFE Packed Only)	ASTM A696 Gr.C	ASTM A696 Gr.C	ASTM A582-303
Handle Assembly	ASTM A108	ASTM A108	300 Series SS

**Max Cv Ratings**

.187" Orifice	Straight Body Style
	.79

Approx. Valve Weight:  
1.00 lbs. [.45 kg] ea.

\* Barstock equivalent of ASTM A105

**Notes**

- PGI Carbon Steel products are Alkaline Zinc plated for corrosion prevention
- PGI 316 SS products meet the requirements of NACE MR0175/ISO 15156-3
- 100% Pressure Tested
- Carbon Steel Weld End Connection Bodies are ASTM A696 Gr.C

