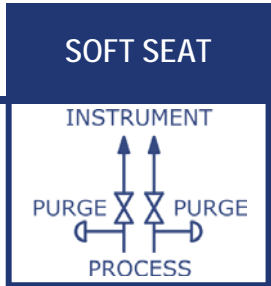






# Liquid Level Manifolds



## SOFT SEAT: .187" Orifice



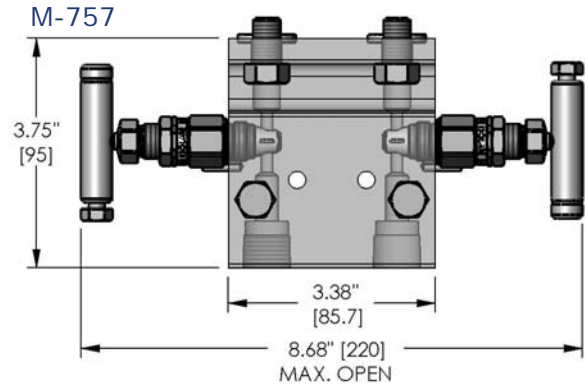
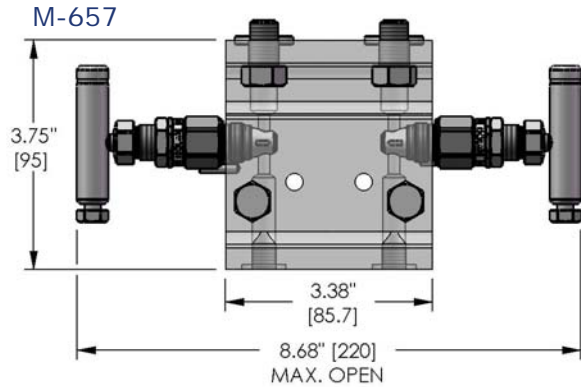
### Features

- PGI Soft Cone Seat

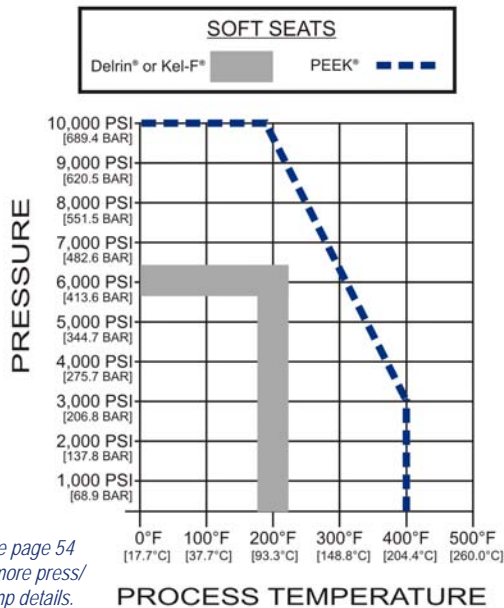
### Benefits

- Roddable straight-through design
- Leak free, bubble tight seating
- Easily replaced
- Available in a variety of materials
- Bi-directional flow

## Dimensions, inches [mm]



## Pressure vs. Temperature



See page 54 for more press/ temp details.

## Part Number Selection

### Base Model

		Process x Instrument x Purge
M-	657	1/2" FNPT x Flange x (2) 1/4" FNPT
M-	757	Flange x Flange x (2) 1/4" FNPT

### Body Material Code

C	ASTM A108
S	ASTM A276-316 SS
P	ASTM A696*

### Seat Material Code

D	Delrin®
K	Kel-F®
P	Peek®

### Stem Packing/Seal Code

P	Teflon® (Below threads)
V	Viton® O-Ring

M- - Options [pages 49-50]

## Materials of Construction

Part	Carbon Steel	A696 Carbon Steel*	316 Stainless Steel
Body	ASTM A108	ASTM A696 Gr.C	ASTM A276-316
Bonnet	ASTM A696 Gr.C	ASTM A696 Gr.C	ASTM A479-316
Packing "P" / "V"	Teflon®/Viton® O-Ring	Teflon®/Viton® O-Ring	Teflon®/Viton® O-Ring
Stem	ASTM A479-316	ASTM A479-316	ASTM A479-316
Packing Adjuster	ASTM A696 Gr.C	ASTM A696 Gr.C	ASTM A479-316
Packing Follower	ASTM A479-316	ASTM A479-316	ASTM A479-316
Jam Nut (TFE Packed Only)	ASTM A696 Gr.C	ASTM A696 Gr.C	ASTM A582-303
Handle Assembly	ASTM A108	ASTM A108	300 Series SS

## Max Cv Ratings

.187" Orifice	Straight Body Style
	.83

Approx. Manifold Weight:  
6.1 lbs. [2.76 kg] ea. (M-657)  
6.8 lbs. [3.08 kg] ea. (M-757)

\* Barstock equivalent of ASTM A108

## Notes

- PGI Carbon Steel products are Alkaline Zinc plated for corrosion prevention
- PGI 316 SS products meet the requirements of NACE MR0175/ISO 15156-3
- 100% Pressure Tested
- Carbon Steel Weld End Connection Bodies are ASTM A696 Gr.C