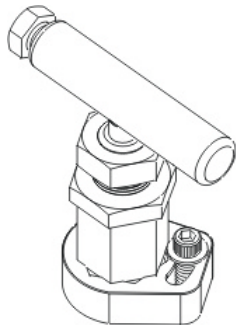
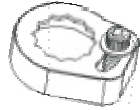


Options

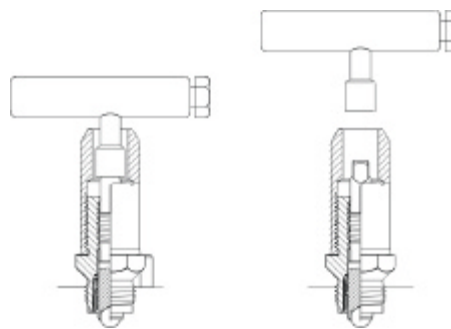
Bonnet Lock Plate



The Bonnet Lock Plate provides a more positive bonnet-locking device than the standard roll pin.

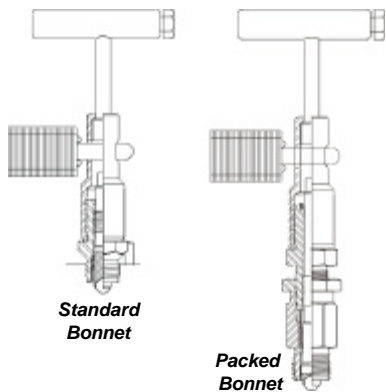


Anti-Tamper Bonnet



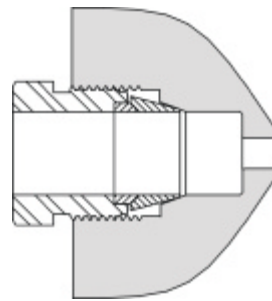
The Anti-Tamper Bonnet Handle allows the bonnet stem to be placed in any position, including open or close, before removing the handle. Without the handle, it is virtually impossible to operate the valve.

Bonnet Handle Lock-out



The Bonnet Handle Lock-out is similar to the Anti-Tamper Bonnet Handle. The bonnet stem is placed in its desired position, the handle is then raised, and the lock installed. The handle cannot be removed, and therefore cannot be lost.

Integral Tube Fitting Connection



The Integral Tube Fitting Connection is available in 1/2" tube only. It is optional on most manifolds and needle valves. Specify the Integral Tube Fitting Connection option to select a system which eliminates pipe threads. A variety of ferrules are available.

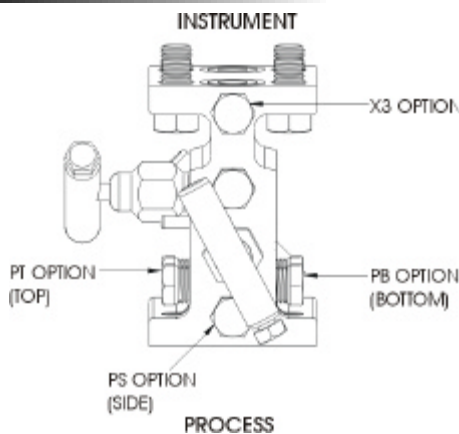
.187" Orifice

| PART NUMBER | DESCRIPTION | BONNET MATERIAL | SEAT | STEM SEAL |
|-------------|-------------------------|-----------------|--------------|------------------------|
| SAV161SCT | Anti-Tamper Bonnet | 316 SS | Carbide Ball | Teflon® Pressure-Core™ |
| SAV166S-T | Anti-Tamper Bonnet | 316 SS | Soft Cone | Teflon® Pressure-Core™ |
| AK-123-C0 | Anti-Tamper Handle Only | 316 SS | --- | --- |
| SAV164SCT | Bonnet Handle Lock-out | 316 SS | Carbide Ball | Teflon® Pressure-Core™ |
| SAV165S-T | Bonnet Handle Lock-out | 316 SS | Soft Cone | Teflon® Pressure-Core™ |

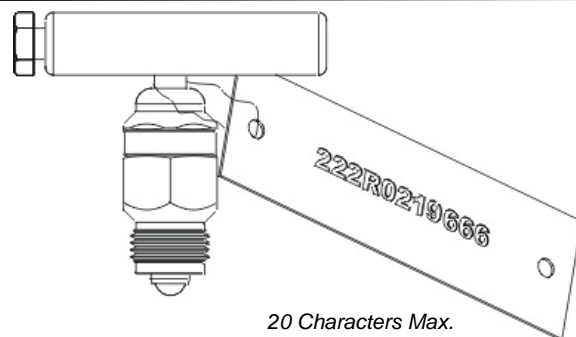
.375" Orifice

| | | | | |
|-----------|------------------------|--------|--------------|------------------------|
| SAV305SCT | Bonnet Handle Lock-out | 316 SS | Carbide Ball | Teflon® Pressure-Core™ |
| SAV305S-T | Bonnet Handle Lock-out | 316 SS | Soft Cone | Teflon® Pressure-Core™ |

Purge Port Locations

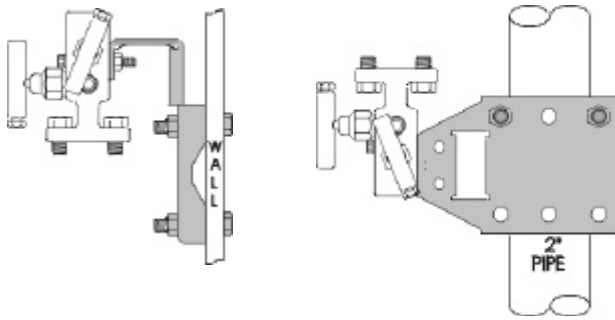


316 Stainless Steel Tag - Option Code W1

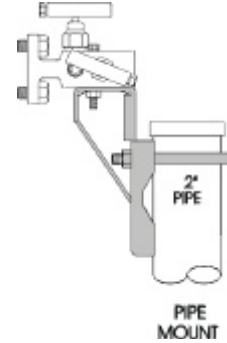


Accessories and Kits

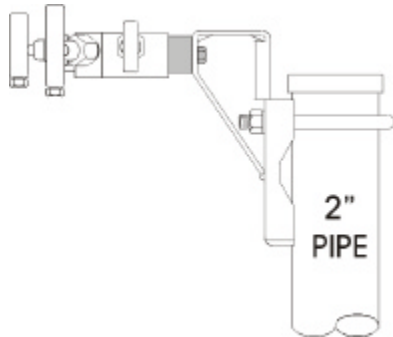
AK-002-__ : Versa-Mount Manifold Brackets



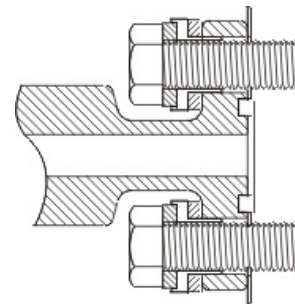
AK-002-__ - HD: Heavy-Duty Versa-Mount Manifold Brackets



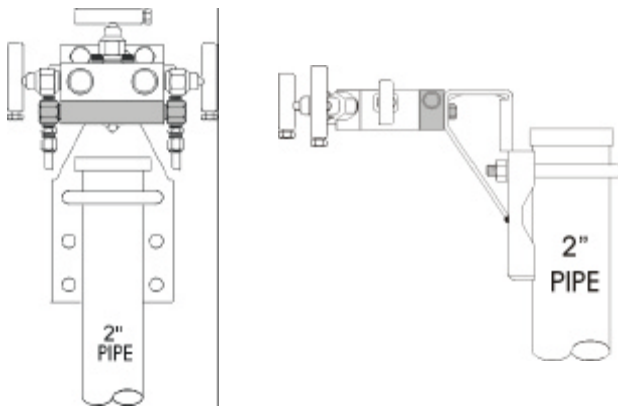
AK-085-C0: Coplanar™ Mounting Adapter Plate



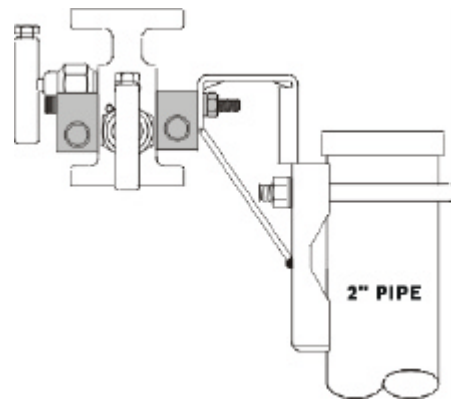
AK-032-__ - __ : Manifold Dielectric Kits



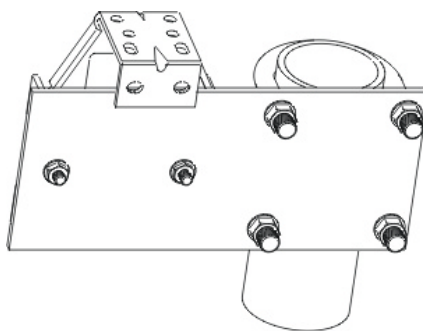
AK-__ : Steam Trace Block



AK-__ : Dual Steam Trace Block

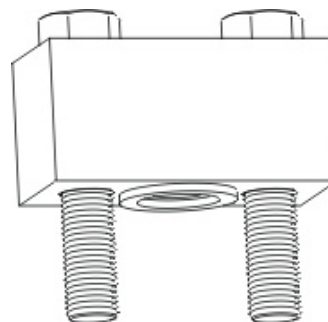


AK-099-10: Versa-Mount Side Adapter



This bracket allows the transmitter to be mounted off set to the mounting post.

AK-010-__ : Flange Adapters



These adapters can be mounted on the process side of our flange to flange manifolds.

Accessories and Kits

Accessories

| PART NUMBER | DESCRIPTION | MATERIAL |
|---|---|--------------|
| Flange Adapters, Brackets and Hex Nipples | | |
| AK-010-10 | Flange Adapter - Includes (2) ½" NPT Flange Adapters, (4) Bolts, (2) Teflon® Seals | Carbon Steel |
| AK-010-C0 | Flange Adapter - Includes (2) ½" NPT Flange Adapters, (4) Bolts, (2) Teflon® Seals | 316 SS |
| AK-034-10 | Conduit / Purge Meter Bracket | Carbon Steel |
| AK-035-10 | Dual Conduit / Purge Meter Bracket | Carbon Steel |
| AK-099-10 | Versa-Mount with Side Adapter Kit | Carbon Steel |
| C4-008-10 | ½" NPT Concentric Hex Nipple - 3" Long | Carbon Steel |
| C4-008-C0 | ½" NPT Concentric Hex Nipple - 3" Long | 316 SS |
| C4-009-10 | ½" NPT Eccentric Hex Nipple - 3" Long | Carbon Steel |
| C4-009-C0 | ½" NPT Eccentric Hex Nipple - 3" Long | 316 SS |
| Manifold Mounting Brackets & Accessories | | |
| AK-002-10 | Versa-Mount Manifold Mounting Bracket [VC Option Code] | Carbon Steel |
| AK-002-C0 | Versa-Mount Manifold Mounting Bracket [VS Option Code] | 316 SS |
| AK-002-10-HD | Versa-Mount Manifold Mounting Bracket (Heavy-Duty) [VCH Option Code] | Carbon Steel |
| AK-002-C0-HD | Versa-Mount Manifold Mounting Bracket (Heavy-Duty) [VSH Option Code] | 316 SS |
| AK-002-10-HDWL | Versa-Mount Manifold Mounting Bracket (Heavy-Duty) w/ 2 Mounting U-Bolts [VCHWL Option Code] | Carbon Steel |
| AK-085-C0 | Coplanar™ Mounting Adapter Plate | 316 SS |
| Steam Trace Block | | |
| AK-006-10 | Steam Trace Block for Conventional 3 Valve Manifolds [TC Option Code] | Carbon Steel |
| AK-006-C0 | Steam Trace Block for Conventional 3 Valve Manifolds [TS Option Code] | 316 SS |
| AK-007-10 | Steam Trace Block for Conventional 2 and 5 Valve Manifolds [TC Option Code] | Carbon Steel |
| AK-007-C0 | Steam Trace Block for Conventional 2 and 5 Valve Manifolds [TS Option Code] | 316 SS |
| AK-110-C0 | Steam Trace Block for M-616 Slim Body 2 Valve Pressure Manifold [TS Option Code] | 316 SS |
| AK-111-C0 | Steam Trace Block for MD804, MD808, MD810, MD812 & MD813 Coplanar™ Manifolds [TS Option Code] | 316 SS |
| Pipe Plugs | | |
| P6-024-10 | ½" NPT Allen Head | Carbon Steel |
| P6-024-C0 | ½" NPT Allen Head | 316 SS |
| P6-024-K0 | ½" NPT Allen Head | Monel® |
| P6-036-10 | ¼" NPT Hex Head | Carbon Steel |
| P6-036-C0 | ¼" NPT Hex Head | 316 SS |
| P6-062-10 | ½" NPT Hex Head | Carbon Steel |
| P6-062-C0 | ½" NPT Hex Head | 316 SS |

Kits

| PART NUMBER | DESCRIPTION | MATERIAL |
|--|--|----------|
| Manifold Flange Seal Kits | | |
| P5-018-R0 | Manifold Flange Seal | Teflon® |
| P5-018-R1 | Manifold Flange Seal | Grafoil® |
| P5-027-R0 | Manifold Flange Seal for M-660 Manifold | Teflon® |
| P5-027-R1 | Manifold Flange Seal for M-660 Manifold | Grafoil® |
| P5-046-R0 | Manifold Flange Seal when used with Dielectric Isolators | Teflon® |
| P5-075-R0 | Viton® O-Ring Flange Seal | Viton® |
| Manifold Dielectric Kits (1 kit per Manifold) | | |
| AK-032-C0 | Dielectric Gasket / CS Bolts / 316 SS Washers / Bolt Sleeves | |
| AK-032-C0-W3 | Dielectric Gasket / 300 SS Bolts / 316 SS Washers / Bolt Sleeves | |
| AK-032-C0-W9 | Dielectric Gasket / 316 SS Bolts / 316 SS Washers / Bolt Sleeves | |

Spare Parts

| .136" ORIFICE SEATS | | .136" ORIFICE BONNET PACKING | |
|------------------------------|----------------------------------|--|---|
| PART NO. | DESCRIPTION | PART NO. | DESCRIPTION |
| SP5-020-R0 | Mini Teflon® Seat | SP5-019-R0 | Mini Packed Teflon® Seal |
| SP5-020-R1 | Mini Kel-F® Seat | SP5-047-R0 | Mini Packed Grafoil® Seal |
| SP5-020-R2 | Mini Delrin® Seat | SP7-025-C0 | Stainless Steel Backup Washer |
| SP5-020-R3 | Mini PEEK® Seat | .136" ORIFICE BONNET ASSEMBLIES | |
| SP7-024-C0 | Wavey Washer | PART NO. | DESCRIPTION |
| SP3-010-R3 | Mini Pressure-Core™ Delrin® Seat | SAV106C-V | Carbon Steel with Viton® Packing |
| SP3-010-R2 | Mini Pressure-Core™ Teflon® Seat | SAV106S-V | Stainless Steel with Viton® Packing |
| SP3-010-R4 | Mini Pressure-Core™ PEEK® Seat | SAV107C-T | Carbon Steel with Packed Teflon® |
| SP3-010-R9 | Mini Pressure-Core™ Tefzel Seat | SAV107S-T | Stainless Steel with Packed Teflon® |
| .136" ORIFICE HANDLES | | SAV117C-T-H3 | Carbon Steel w/ Teflon® Mini Pressure-Core™ |
| PART NO. | DESCRIPTION | SAV117S-T-H4 | Stainless Steel w/ Teflon® Mini Pressure-Core™ |
| SAV-001-10 | Round Handle - Carbon Steel | SAV117C-J-H3 | Carbon Steel w/ Low-Temp Teflon® Mini Pressure-Core™ |
| SAV-002-10 | Bar Handle - Carbon Steel | SAV117S-J-H4 | Stainless Steel w/ Low-Temp Teflon® Mini Pressure-Core™ |
| SAV-002-A0 | Bar Handle - Stainless Steel | SAV119C-V-H3 | Carbon Steel w/ Viton® O-Ring |
| SAV-003-R0 | Round Handle - Plastic | SAV119S-V-H4 | Stainless Steel w/ Viton® O-Ring |

| .187" ORIFICE SEATS | | .187" ORIFICE BONNET ASSEMBLIES | | | |
|---|-------------------|--|---------------------------------|--------------|-----------------|
| PART NO. | DESCRIPTION | PART NO. | STEM SEAL | SEAT | BONNET MATERIAL |
| SP3-003-R1 | Kel-F® Cone Seat | SAV100CCV | Viton® | Carbide Ball | Carbon Steel |
| SP3-003-R2 | PEEK® Cone Seat | SAV100CCT | Teflon® Pressure-Core™ | | |
| | | SAV100CCJ | Low-Temp Teflon® Pressure-Core™ | | |
| SP3-003-R3 | Teflon® Cone Seat | SAV100SCV | Viton® | Carbide Ball | 316 SS |
| SP3-003-R4 | Delrin® Cone Seat | SAV100SCT | Teflon® Pressure-Core™ | | |
| SP3-003-R9 | Tefzel Cone Seat | SAV100SCJ | Low-Temp Teflon® Pressure-Core™ | | |
| | | SAV144SCG-HH | Grafoil® | Soft Cone | Carbon Steel |
| | | SAV101C-V | Viton® | | |
| | | SAV101C-T | Teflon® Pressure-Core™ | | |
| | | SAV101C-J | Low-Temp Teflon® Pressure-Core™ | Soft Cone | 316 SS |
| | | SAV101S-V | Viton® | | |
| | | SAV101S-T | Teflon® Pressure-Core™ | | |
| .187" ORIFICE OS & Y BONNET ASSEMBLIES | | | | | |
| PART NO. | STEM SEAL | SEAT | BONNET MATERIAL | | |
| SAV202SCG-HH | Grafoil® Packed | Carbide Ball | 316 SS | | |

| .250" ORIFICE SEATS | | .250" ORIFICE PRESSURE-CORE™ BONNET ASSEMBLIES | | | |
|----------------------------|-------------------|---|---------------------------------|-----------|-----------------|
| PART NO. | DESCRIPTION | PART NO. | STEM SEAL | SEAT | BONNET MATERIAL |
| SP3-012-R4 | Delrin® Cone Seat | SAV123C-T-HH | Teflon® Pressure-Core™ | Soft Cone | Carbon Steel |
| SP3-012-R1 | Kel-F® Cone Seat | SAV123C-J-HH | Low-Temp Teflon® Pressure-Core™ | | |
| SP3-012-R2 | PEEK® Cone Seat | SAV123S-T-HH | Teflon® Pressure-Core™ | Soft Cone | 316 SS |
| | | SAV123S-J-HH | Low-Temp Teflon® Pressure-Core™ | | |

| .375" ORIFICE SEATS | | .375" ORIFICE PRESSURE-CORE™ BONNET ASSEMBLIES | | | |
|----------------------------|-------------------|---|---------------------------------|--------------|-----------------|
| PART NO. | DESCRIPTION | PART NO. | STEM SEAL | SEAT | BONNET MATERIAL |
| SP3-007-R1 | Kel-F® Cone Seat | SAV300CCT-HH | Teflon® Pressure-Core™ | Carbide Ball | Carbon Steel |
| SP3-007-R2 | PEEK® Cone Seat | SAV300CCJ-HH | Low-Temp Teflon® Pressure-Core™ | | |
| SP3-007-R3 | Teflon® Cone Seat | SAV300SCT-HH | Teflon® Pressure-Core™ | | 316 SS |
| SP3-007-R4 | Delrin® Cone Seat | SAV300SCJ-HH | Low-Temp Teflon® Pressure-Core™ | Soft Cone | |
| SP3-007-R8 | Rylon® Cone Seat | SAV300C-T-HH | Teflon® Pressure-Core™ | | |
| | | SAV300C-J-HH | Low-Temp Teflon® Pressure-Core™ | | |
| | | SAV300S-T-HH | Teflon® Pressure-Core™ | 316 SS | |
| | | SAV300S-J-HH | Low-Temp Teflon® Pressure-Core™ | | |

| .375" ORIFICE OS & Y BONNET ASSEMBLIES | | | |
|---|-----------------|--------------|-----------------|
| PART NO. | STEM SEAL | SEAT | BONNET MATERIAL |
| SAV200SCG-HH | Grafoil® Packed | Carbide Ball | 316 SS |
| SAV200S-G-HH | Grafoil® Packed | Cone Seat | 316 SS |

| .375" ORIFICE PACKED STYLE BONNET ASSEMBLIES | | | |
|---|-----------------|--------------|-----------------|
| PART NO. | STEM SEAL | SEAT | BONNET MATERIAL |
| SAV301SCG-HH | Grafoil® Packed | Carbide Ball | 316 SS |
| SAV301S-G-HH | Grafoil® Packed | Cone Seat | 316 SS |

Note: Handle included in all Bonnet Assemblies.

Individual Bolt Chart

Individual Hex Head Bolt Part Number Chart

| PART NUMBER | BOLT LENGTH | MATERIAL 7/16-20 THREAD | OPTION CODE | PART NUMBER | BOLT LENGTH | MATERIAL 7/16-20 THREAD | OPTION CODE |
|-------------|-------------|----------------------------|----------------|-------------|-------------|----------------------------|----------------|
| P6-057-10 | 3/4" | CS | WV | P6-086-10 | 3" | CS | WF |
| P6-057-A0 | | 300 SS | | P6-086-A0 | | 300 SS | |
| P6-057-C0 | | 316 SS | | P6-086-C0 | | 316 SS | |
| P6-067-10 | 1" | CS | WG | P6-089-10 | 3-1/4" | CS | WJ |
| P6-067-A0 | | 300 SS | | P6-089-A0 | | 300 SS | |
| P6-067-C0 | | 316 SS | | P6-089-C0 | | 316 SS | |
| P6-073-10 | 1-1/4" | CS | W7 | P6-107-10 | 3-1/2" | CS | WQ |
| P6-073-A0 | | 300 SS | | P6-107-A0 | | 300 SS | |
| P6-073-C0 | | 316 SS | | P6-107-C0 | | 316 SS | |
| P6-058-10 | 1-1/2" | CS | WB | P6-149-10 | 3-3/4" | CS | WS |
| P6-058-A0 | | 300 SS | | P6-149-A0 | | 300 SS | |
| P6-058-C0 | | 316 SS | | P6-149-C0 | | 316 SS | |
| P6-028-10 | 1-3/4" | CS | WH | P6-108-10 | 4" | CS | WN |
| P6-028-A0 | | 300 SS | | P6-108-A0 | | 300 SS | |
| P6-028-C0 | | 316 SS | | P6-108-C0 | | 316 SS | |
| P6-061-10 | 2" | CS | WC | P6-102-10 | 4-1/4" | CS | WP |
| P6-061-A0 | | 300 SS | | P6-102-A0 | | 300 SS | |
| P6-061-C0 | | 316 SS | | P6-102-C0 | | 316 SS | |
| P6-029-10 | 2-1/4" | CS | WA | P6-109-10 | 4-1/2" | CS | WR |
| P6-029-A0 | | 300 SS | | P6-109-A0 | | 300 SS | |
| P6-029-C0 | | 316 SS | | P6-109-C0 | | 316 SS | |
| P6-080-10 | 2-1/2" | CS | WE | P6-197-10 | 4-3/4" | CS | WT |
| P6-080-A0 | | 300 SS | | P6-197-A0 | | 300 SS | |
| P6-080-C0 | | 316 SS | | P6-197-C0 | | 316 SS | |
| P6-038-10 | 2-3/4" | CS | WD | P6-002-10 | 5-1/4" | CS | WU |
| P6-038-A0 | | 300 SS | | P6-002-A0 | | 300 SS | |
| P6-038-C0 | | 316 SS | | P6-002-C0 | | 316 SS | |

Hex Head Bolt Washers

| PART NUMBER | DESCRIPTION |
|-------------|---|
| P6-090-A0 | 316 SS Bolt Washer (For Slotted Flange Manifolds) |
| P6-090-10 | Carbon Steel Bolt Washer (For Slotted Flange Manifolds) |

"MD" Coplanar™ Manifolds Individual Allen Head Bolt Part Number

| PART NUMBER | DESCRIPTION |
|-------------|--|
| P6-145-10 | 7/16-20 x 1-3/4" MD Manifolds (1.3 Centers) - Carbon Steel |
| P6-145-A0 | 7/16-20 x 1-3/4" MD Manifolds (1.3 Centers) - 300 SS |
| P6-145-C0 | 7/16-20 x 1-3/4" MD Manifolds (1.3 Centers) - 316 SS |