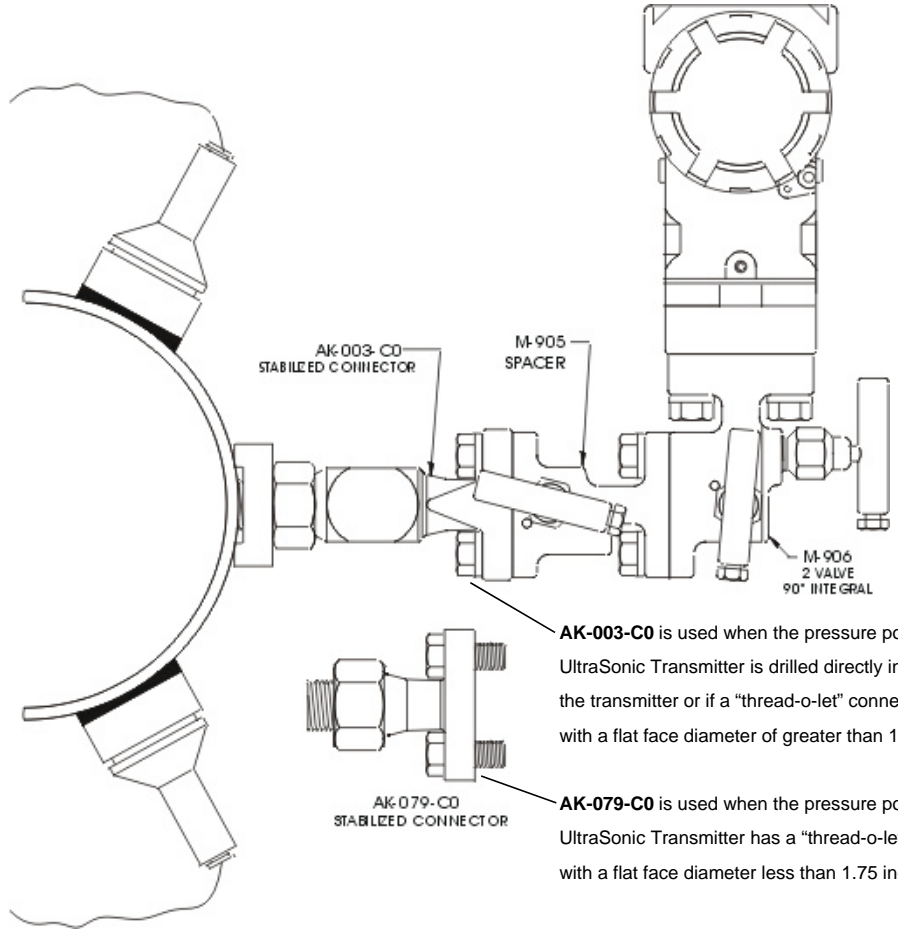
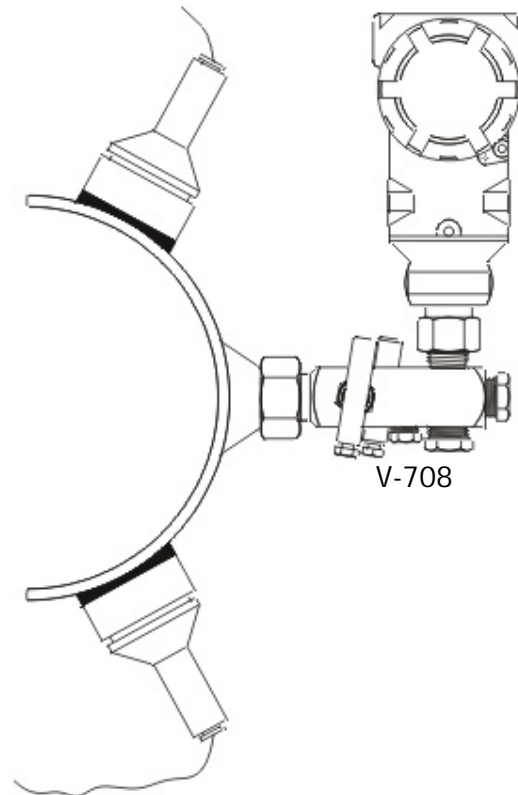


Direct-Mount™ Systems for UltraSonic Flow Meters



AK-003-C0 is used when the pressure port on the UltraSonic Transmitter is drilled directly into the body of the transmitter or if a "thread-o-let" connection is used with a flat face diameter of greater than 1.75 inches.

AK-079-C0 is used when the pressure port on the UltraSonic Transmitter has a "thread-o-let" connection with a flat face diameter less than 1.75 inches.



Direct-Mount™ Systems for UltraSonic Flow Meters

ORDERING INFORMATION

BODY STYLE	BODY CODE	SEAT CODE	STEM SEAL CODE	OPTION CODES
Hard Seat				
M-905			-	
M-906			-	
V-708			-	
Stabilized Connectors ~ 75 ft./lbs. with CS Bolts				
AK-003-C0			-	
AK-079-C0			-	

BODY CODE
[Std.] 316 SS S

HARD SEAT CODE	
C	Carbide Ball [Std.]
R	Ceramic Ball
6	316 SS Ball

STEM SEAL CODE	
[Std.] Teflon® Pressure-Core™	T
Grafoil® Packed	G
Low-Temp Pressure-Core™	J

OPTION CODE	OPTION DESCRIPTION
GA	Anti-Tamper Bonnet (All Positions)
GC	Anti-Tamper Bonnet (Isolate Valve(s) Only)
GE	Anti-Tamper Bonnet (Vent Valve Only - M-906 & V-708 Only)
GJ	Bonnet Lock-Out (All Positions - Lock Not Provided)
GK	Bonnet Lock-Out (Isolate Valve(s) Only - Lock Not Provided)
GM	Bonnet Lock-Out (Vent Valve Only - Lock Not Provided - M-906 & V-708 Only)
MH	Viton® O-Ring Flange Seals (M-905/906 Only)
•MJ	Viton® O-Ring Flange Seal (AK-003/079-CO Only)
•MN	Dielectric Isolation (AK-003/079-CO Only)
MU	Dielectric Isolation (M-905/906 Only)
M7	Required Slotting for Rosemount® 1151 Transmitters Series 6 & Above (M-906 Only)
TH	Hydrostatic Testing
TS	Steam Trace Block - 316 SS (M-905 & M-906 Only)
W	Safety Bonnet Lock Plate
WA	CS
WAW3	300 SS
WAW9	316 SS
WK	Paper Tag
W1	316 SS Tag (20 Characters - See page 61)
W3	300 SS Standard Length Flange Bolts (CS Standard)
W9	316 SS Standard Length Flange Bolts (CS Standard)
XL	Clean for Critical Service (Oxygen or Chlorine)
• AK-003-C0 or AK-079-C0 Can Only Use These Designated Options.	

PRESSURE & TEMPERATURE

BODY MATERIAL	HARD SEAT	HARD SEAT
	Teflon Pressure-Core	Grafoil
316 SS	10,000 PSI @ 200° F	6,000 PSI @ 200° F
	8,000 PSI @ 400° F	1,500 PSI @ 1,000° F
See Page 5: Chart D		Chart F