



Meter & Equalizer Manifolds

SOFT SEAT

SOFT SEAT: .187" Orifice

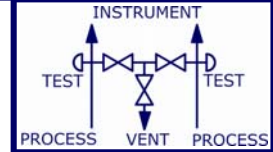


Features

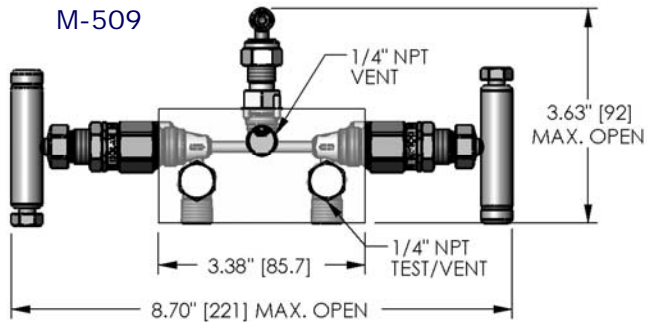
- PGI Soft Cone Seat

Benefits

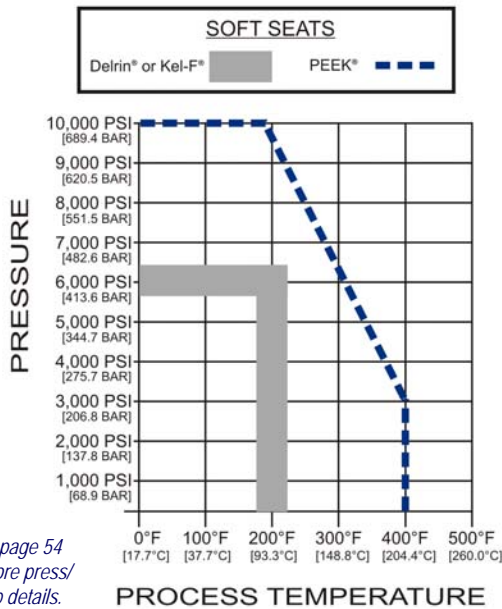
- Roddable straight-through design
- Leak free, bubble tight seating
- Easily replaced
- Available in a variety of materials
- Bi-directional flow



Dimensions, inches [mm]



Pressure vs. Temperature



See page 54 for more press/ temp details.

Part Number Selection

Base Model		Process x Instrument x Vent/Test	
M-	509	1/4" FNPT	1/4" FNPT x 1/4" FNPT
M-	581	1/4" FNPT	Flange x 1/4" FNPT

Body Material Code	
C	ASTM A108
S	ASTM A479-316 SS

Seat Material Code	
D	Delrin®
K	Kel-F®
P	Peek®

Stem Packing/Seal Code	
P	Teflon® (Below threads)
V	Viton® O-Ring

M-					-	Options [pages 49-50]
----	--	--	--	--	---	-----------------------

Materials of Construction

Part	Carbon Steel	A105 Carbon Steel	316 Stainless Steel
Body	ASTM A108	ASTM A105	ASTM A479-316
Bonnet	ASTM A105	ASTM A105	ASTM A479-316
Packing "P" / "V"	Teflon®/Viton® O-Ring	Teflon®/Viton® O-Ring	Teflon®/Viton® O-Ring
Stem	ASTM A479-316	ASTM A479-316	ASTM A479-316
Packing Adjuster / Retainer	ASTM A105	ASTM A105	ASTM A479-316
Packing Follower	ASTM A479-316	ASTM A479-316	ASTM A479-316
Jam Nut (TFE Packed Only)	ASTM A105	ASTM A105	ASTM A582-303
Handle Assembly	ASTM A108	ASTM A108	300 Series SS

Max Cv Ratings

.187" Orifice	Straight Body Style
	.83

Approx. Manifold Weight:
5 lbs. [2.26 kg] ea.

Notes

- PGI Carbon Steel products are Alkaline Zinc plated for corrosion prevention
- PGI 316 SS products meet the requirements of NACE MR0175/ISO 15156-3
- 100% Pressure Tested