

VALVE FITTINGS & WELLHEAD COMPONENTS



6A-0765



PGI International
Excellence Through Innovation

ISO 9001: 2000 Certified Quality System

www.pgaint.com

MANUFACTURER OF STANDARD AND SPECIALTY FITTINGS AND COMPONENTS CONFORMING TO NACE, API AND ANSI SPECIFICATIONS

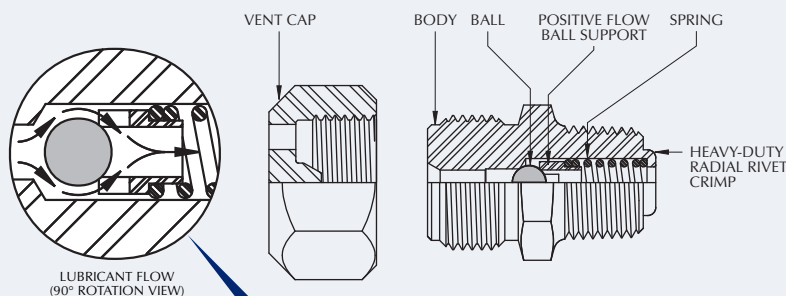


featuring positive flow ball support

VENTED CAP BODY GREASE FITTINGS

Our standard body grease fitting features the *Positive Flow Ball Support*. This design directs the flow of the lubricant and/or sealant through the center of the spring without passing through the spring coil, reducing the tendency to “pack-off.” The *Positive Flow Ball Support* is available in many other fitting styles.

Another feature of the standard body grease fitting is the heavy-duty radial rivet crimp. This special crimp provides the best “blow-out” protection of any available crimped style fitting. The radial rivet crimp process conforms to the latest revision of NACE.



Lubricant passes around the ball and through the center of the ball support and spring, without passing through the spring coil.

Vented Cap Body Grease Fittings

THREAD SIZE	MATERIAL	PART NO.	PLATING	HEAT TREATMENT	BALL	SPRING
1" NPT	1215	BG10N8-10	Zinc	---	**CA	302 SS
	316 SS	BG10N8-C0	---	Annealed (NACE)	K-Monel®	Inconel X-750
	4140	BG10N8-80	Zinc	Rc 22 Max (NACE)		
3/4" NPT	1215	BG10N6-10	Zinc	---	**CA	302 SS
	316 SS	BG10N6-C0	---	Annealed (NACE)	K-Monel®	Inconel X-750
	4140	BG10N6-80	Zinc	Rc 22 Max (NACE)		
1/2" NPT	1215	BG10N4-10	Zinc	---	**CA	302 SS
	316 SS	BG10N4-C0	---	Annealed (NACE)	K-Monel®	Inconel X-750
	4140	BG10N4-80	Zinc	Rc 22 Max (NACE)		
3/8" NPT	1215	BG10N3-10	Zinc	---	**CA	302 SS
	316 SS	BG10N3-C0	---	Annealed (NACE)	K-Monel®	Inconel X-750
	4140	BG10N3-80	Zinc	Rc 22 Max (NACE)		
1/4" NPT	1215	BG10N2-10	Zinc	---	**CA	302 SS
	316 SS	BG10N2-C0	---	Annealed (NACE)	K-Monel®	Inconel X-750
	4140	BG10N2-80	Zinc	Rc 22 Max (NACE)		

For Service to 10,000 PSI

Vented Cap Body Grease Fittings with Giant Button Head

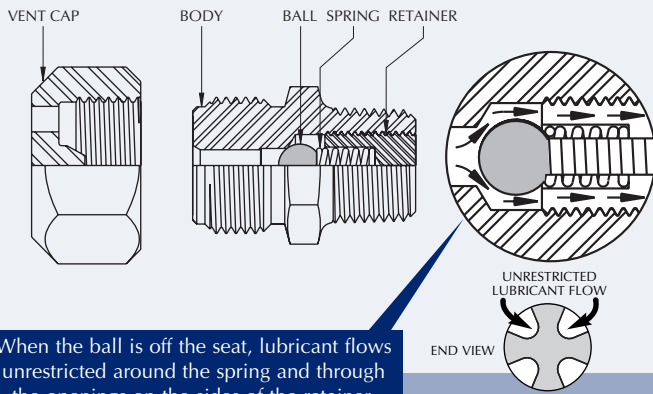
THREAD SIZE	MATERIAL	PART NO.	PLATING	HEAT TREATMENT	BALL	SPRING
1" NPT	1215	BH10N8-10	Zinc	---	**CA	302 SS
	316 SS	BH10N8-C0	---	Annealed (NACE)	K-Monel®	Inconel X-750
	4140	BH10N8-80	Zinc	Rc 22 Max (NACE)		
3/4" NPT	1215	BH10N6-10	Zinc	---	**CA	302 SS
	316 SS	BH10N6-C0	---	Annealed (NACE)	K-Monel®	Inconel X-750
	4140	BH10N6-80	Zinc	Rc 22 Max (NACE)		
1/2" NPT	1215	BH10N4-10	Zinc	---	**CA	302 SS
	316 SS	BH10N4-C0	---	Annealed (NACE)	K-Monel®	Inconel X-750
	4140	BH10N4-80	Zinc	Rc 22 Max (NACE)		
3/8" NPT	1215	BH10N3-10	Zinc	---	**CA	302 SS
	316 SS	BH10N3-C0	---	Annealed (NACE)	K-Monel®	Inconel X-750
	4140	BH10N3-80	Zinc	Rc 22 Max (NACE)		
1/4" NPT	1215	BH10N2-10	Zinc	---	**CA	302 SS
	316 SS	BH10N2-C0	---	Annealed (NACE)	K-Monel®	Inconel X-750
	4140	BH10N2-80	Zinc	Rc 22 Max (NACE)		

For Service to 10,000 PSI

PLEASE CONSULT FACTORY FOR PRODUCT AVAILABILITIES. **CA=AISI 52100 Chrome Alloy ~ Other materials and plating available upon request.

featuring free flow design

VENTED CAP BODY GREASE FITTINGS



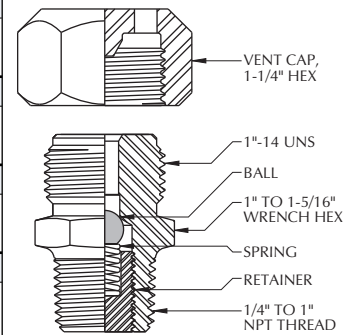
When the ball is off the seat, lubricant flows unrestricted around the spring and through the openings on the sides of the retainer.

The *Free Flow* fitting utilizes a unique spring retainer that is threaded into the body of the fitting. This special retainer also acts as a ball support and spring guide, and its design allows for the *Free Flow* of lubricants and sealant *around* the spring, instead of through it.

- **Only unrestricted flow path on the market** – the straight-line passageway significantly reduces tendency to “pack off.”
- **Guaranteed against “Blow Out”** when used within design limitations of the fitting. Excellent in extreme cold environments.
- **Increased flow rates** due to the unrestricted flow path.
- **Meets latest revision of NACE** – no cold working of materials.

Free Flow Vented Cap Body Grease Fittings

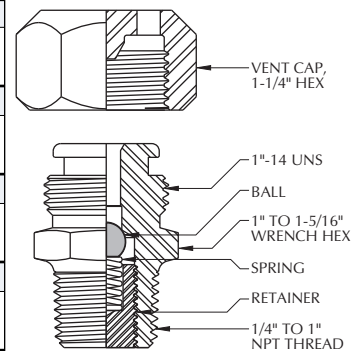
THREAD SIZE	MATERIAL	PART NO.	PLATING	HEAT TREATMENT	BALL	SPRING
1" NPT	1215	BG22N8-10	Zinc	---	**CA	302 SS
	316 SS	BG22N8-C0	---	Annealed (NACE)	K-Monel®	Inconel X-750
	4140	BG22N8-80	Zinc	Rc 22 Max (NACE)		
3/4" NPT	1215	BG22N6-10	Zinc	---	**CA	302 SS
	316 SS	BG22N6-C0	---	Annealed (NACE)	K-Monel®	Inconel X-750
	4140	BG22N6-80	Zinc	Rc 22 Max (NACE)		
1/2" NPT	1215	BG22N4-10	Zinc	---	**CA	302 SS
	316 SS	BG22N4-C0	---	Annealed (NACE)	K-Monel®	Inconel X-750
	4140	BG22N4-80	Zinc	Rc 22 Max (NACE)		
3/8" NPT	1215	BG22N3-10	Zinc	---	**CA	302 SS
	316 SS	BG22N3-C0	---	Annealed (NACE)	K-Monel®	Inconel X-750
	4140	BG22N3-80	Zinc	Rc 22 Max (NACE)		
1/4" NPT	1215	BG22N2-10	Zinc	---	**CA	302 SS
	316 SS	BG22N2-C0	---	Annealed (NACE)	K-Monel®	Inconel X-750
	4140	BG22N2-80	Zinc	Rc 22 Max (NACE)		



For Service to 10,000 PSI

Free Flow Vented Cap Body Grease Fittings with Giant Button Head

THREAD SIZE	MATERIAL	PART NO.	PLATING	HEAT TREATMENT	BALL	SPRING
1" NPT	1215	BH22N8-10	Zinc	---	**CA	302 SS
	316 SS	BH22N8-C0	---	Annealed (NACE)	K-Monel®	Inconel X-750
	4140	BH22N8-80	Zinc	Rc 22 Max (NACE)		
3/4" NPT	1215	BH22N6-10	Zinc	---	**CA	302 SS
	316 SS	BH22N6-C0	---	Annealed (NACE)	K-Monel®	Inconel X-750
	4140	BH22N6-80	Zinc	Rc 22 Max (NACE)		
1/2" NPT	1215	BH22N4-10	Zinc	---	**CA	302 SS
	316 SS	BH22N4-C0	---	Annealed (NACE)	K-Monel®	Inconel X-750
	4140	BH22N4-80	Zinc	Rc 22 Max (NACE)		
3/8" NPT	1215	BH22N3-10	Zinc	---	**CA	302 SS
	316 SS	BH22N3-C0	---	Annealed (NACE)	K-Monel®	Inconel X-750
	4140	BH22N3-80	Zinc	Rc 22 Max (NACE)		
1/4" NPT	1215	BH22N2-10	Zinc	---	**CA	302 SS
	316 SS	BH22N2-C0	---	Annealed (NACE)	K-Monel®	Inconel X-750
	4140	BH22N2-80	Zinc	Rc 22 Max (NACE)		

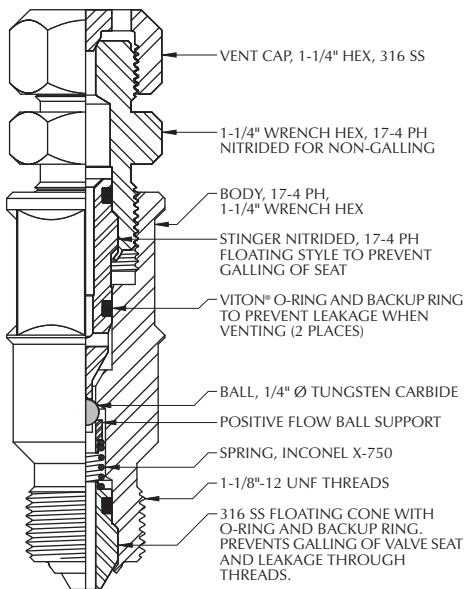


For Service to 10,000 PSI

**CA=AISI 52100 Chrome Alloy ~ Other materials and plating available upon request. PLEASE CONSULT FACTORY FOR PRODUCT AVAILABILITIES.

HIGH PRESSURE LUBRICATION AND SEALANT FITTINGS

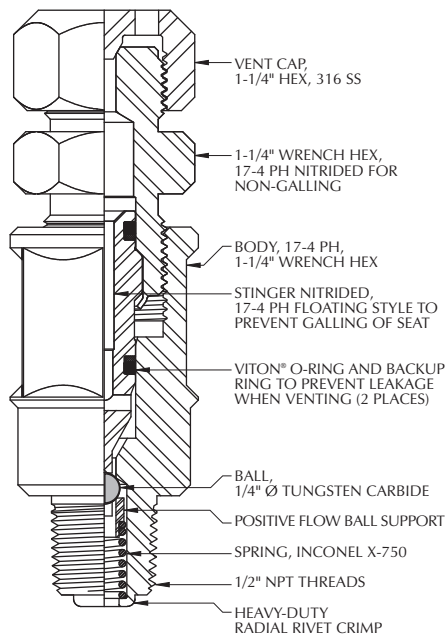
Blowdown Fitting 9/16" Autoclave Style



PART NO.
HP11S9-F0

For Service to 20,000 PSI

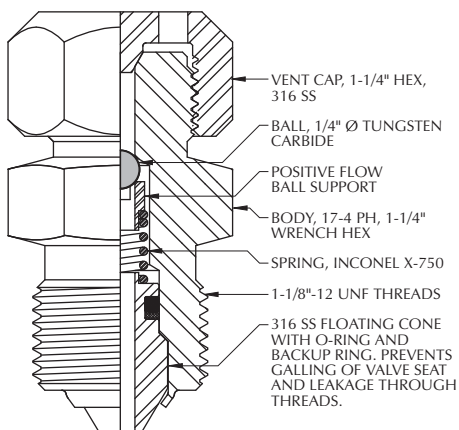
Blowdown Fitting 1/2" NPT



PART NO.
HP10N4-F0

For Service to 10,000 PSI

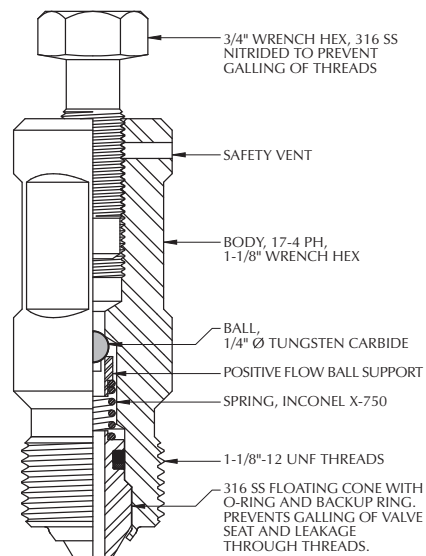
Lubrication (Sealant) Fitting 9/16" Autoclave Style



PART NO.
HP12S9-F0

For Service to 20,000 PSI

Packing Injection Fitting 9/16" Autoclave Style

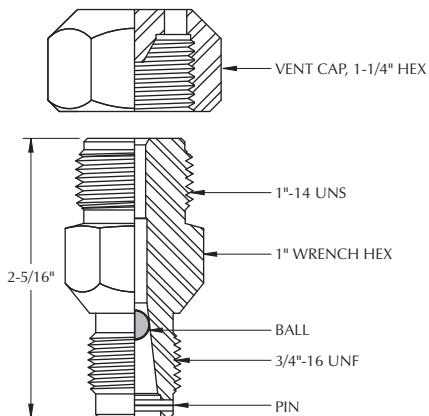


PART NO.
HP13S9-F0

For Service to 20,000 PSI

PLEASE CONSULT FACTORY FOR PRODUCT AVAILABILITIES. Other materials available upon request.

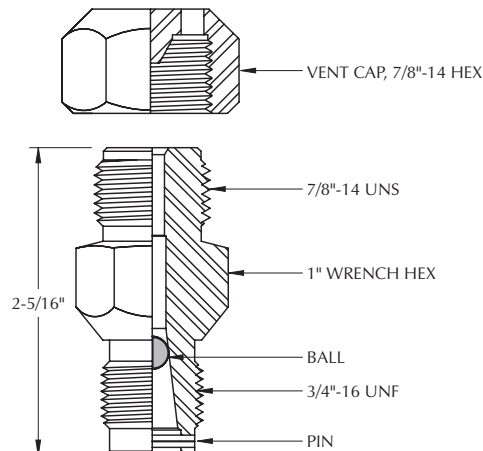
McEvoy® Style Compound Fittings



**3/4" - 16 UNF ENGAGEMENT THREAD
 1" - 14 UNS CAP THREAD**

MATERIAL	PART NO.	PLATING	HEAT TREATMENT	BALL
1215	BGF1-MCE	Zinc	---	**CA
316 SS	BGF1-MCE-2	---	Annealed (NACE)	K-Monel®
4140	BGF1-MCE-3	Zinc	Rc 22 Max (NACE)	K-Monel®

McEvoy® Style Grease Fittings

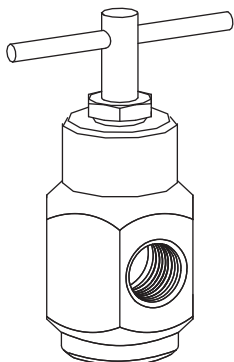


**3/4" - 16 UNF ENGAGEMENT THREAD
 7/8" - 14 UNS CAP THREAD**

MATERIAL	PART NO.	PLATING	HEAT TREATMENT	BALL
1215	BGF78-MCE	Zinc	---	**CA
316 SS	BGF78-MCE-2	---	Annealed (NACE)	K-Monel®
4140	BGF78-MCE-3	Zinc	Rc 22 Max (NACE)	K-Monel®

PRESSURE RELIEF TOOLS

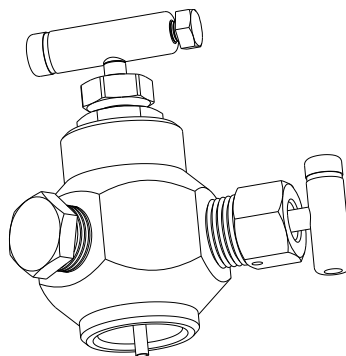
Pressure Relief Tool



**FOR 1" - 14 UNS VENTED CAP FITTINGS
 1/2" NPT VENT PORT**

MATERIAL	PART NO.
1215	PR11S8-10
4140	PR11S8-80

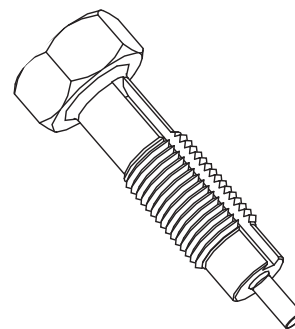
**Pressure Relief Tool
 with Bleeder**



**FOR 1" - 14 UNS VENTED CAP FITTINGS
 1/2" NPT VENT PORT WITH BLEEDER VALVE**

MATERIAL	PART NO.	PLATING
1215	PR12S8-10	Zinc

**Pressure Relief Tool
 for Packing
 Injection Fittings**

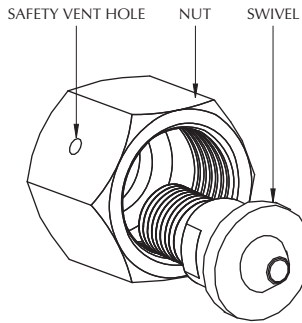


PART NO.
F2-021-10

**CA=AISI 52100 Chrome Alloy ~ Other materials and plating available upon request. PLEASE CONSULT FACTORY FOR PRODUCT AVAILABILITIES.

FITTING ACCESSORIES

Grease Gun Lube Adapter

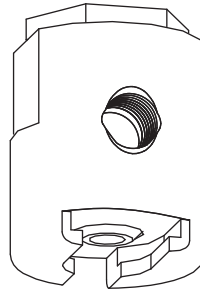


(SWIVEL + NUT)
ADAPTS TO GREASE GUN VIA 1/4" NPT MALE THREADS

THREAD SIZE (NUT)	MATERIAL		PART NO.
	NUT	SWIVEL	
1" - 14 UNS	1215	4140	LA10S8-10
	4140		LA10S8-80
	1215		LA10S8-10-T3 †
7/8" - 14 UNF	1215	4140	LA10S7-10
3/4" - 16 UNF	1215	4140	LA10S6-10

† WKM Style.

Giant Button Head Coupler

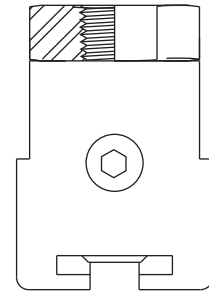


ADAPTS TO GREASE GUN VIA 1/4" NPT FEMALE THREADS

MATERIAL	PART NO.	PLATING
1215	BHC78	Zinc

Repair Kit: BHC78-RPR-KIT

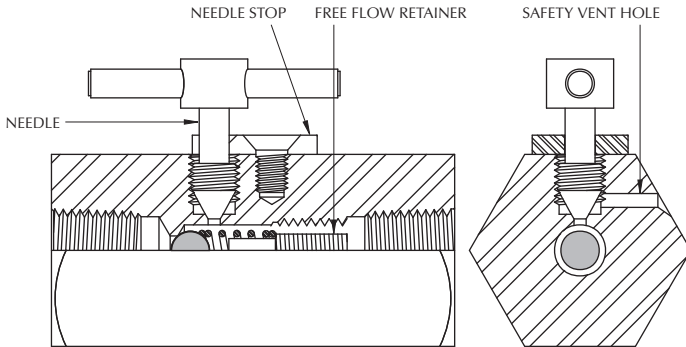
Giant Button Head Coupler - Top Entry



ADAPTS TO GREASE GUN VIA 1/4" NPT FEMALE THREADS

MATERIAL	PART NO.	PLATING
1215	BHC78-TE	Zinc

Safe Vent Coupler

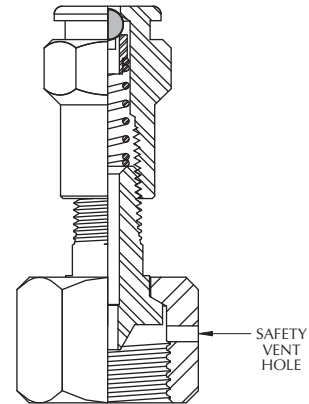


GREASE GUN LUBE ADAPTER WITH PRESSURE RELEASE AND CHECK. ADAPTS TO GREASE GUN HOSE VIA 1/4" NPT FEMALE PORT. (CAN BE PURCHASED WITH OR WITHOUT LUBE ADAPTER)

MATERIAL		PART NO.	LUBE ADAPTER THREAD SIZE	PLATING
NUT	SWIVEL			
---	---	SV22N2-80	N/A	Zinc
1215	4140	SV22N2-80-L1	1" - 14*	Zinc
1215	4140	SV22N2-80-L2	1" - 14*	Zinc †
1215	4140	SV22N2-80-L3	7/8" - 14*	Zinc
1215	4140	SV22N2-80-L4	3/4" - 16*	Zinc

* Shown above without lube adapter. † WKM Style.

Combination Lube Adapter



GREASE GUN LUBE ADAPTER WITH GIANT BUTTON HEAD AND BALL CHECK

THREAD SIZE (NUT)	MATERIAL		PART NO.	PLATING
	NUT	SWIVEL		
1" - 14 UNS	1215	4140	LA10S8-10-T2	Zinc
			LA10S8-10-T2T3	Zinc †
7/8" - 14 UNF	1215	4140	LA10S7-10-T2	Zinc
3/4" - 16 UNF	1215	4140	LA10S6-10-T2	Zinc

† WKM Style.

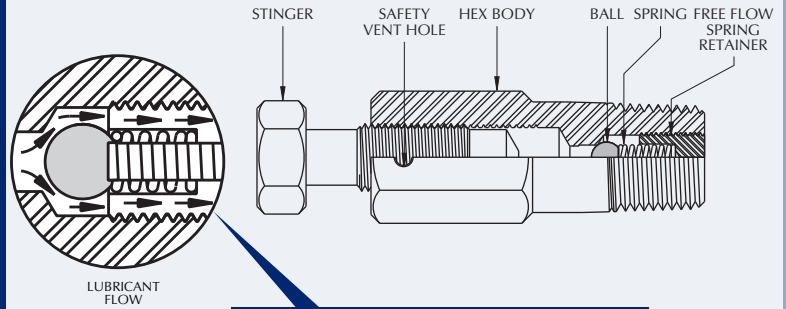
PLEASE CONSULT FACTORY FOR PRODUCT AVAILABILITIES.

featuring free flow design

PACKING/BONNET INJECTION FITTINGS

The *Free Flow* design of the Body Grease Fitting has been incorporated into our Packing Injection Fittings. Compared to standard floating ball designs, the *Free Flow's* specially designed spring retainer allows even the heaviest of lubricants and/or sealant to flow freely through the Packing Injection Fitting.

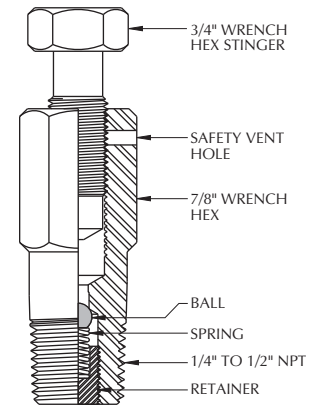
- **Positive back seating** is provided without relying on the presence of back pressure.
- **Guaranteed against "Blow Out"** when used within design limitations of the fitting. Excellent in extreme cold environments.
- **Meets latest revision of NACE** – no cold working of materials.



When the ball is off the seat, lubricant flows unrestricted around the spring and through the openings on the sides of the retainer.

Free Flow Packing Injection Fittings

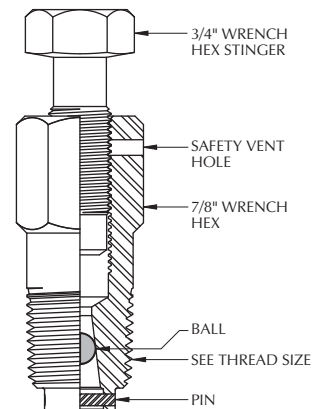
THREAD SIZE	MATERIAL	PART NO.	PLATING	HEAT TREATMENT	BALL	SPRING
1/2" NPT	1215	PF22N4-10	Zinc	---	**CA	302 SS
	316 SS	PF22N4-C0	---	Annealed (NACE)	K-Monel®	Inconel X-750
	4140	PF22N4-80	Zinc	Rc 22 Max (NACE)		
3/8" NPT	1215	PF22N3-10	Zinc	---	**CA	302 SS
	316 SS	PF22N3-C0	---	Annealed (NACE)	K-Monel®	Inconel X-750
	4140	PF22N3-80	Zinc	Rc 22 Max (NACE)		
1/4" NPT	1215	PF22N2-10	Zinc	---	**CA	302 SS
	316 SS	PF22N2-C0	---	Annealed (NACE)	K-Monel®	Inconel X-750
	4140	PF22N2-80	Zinc	Rc 22 Max (NACE)		



For Service to 10,000 PSI

Packing Injection Fittings (Floating Ball-Taper Cavity)

THREAD SIZE	MATERIAL	PART NO.	PLATING	HEAT TREATMENT	BALL
1/2" NPT	1215	PF10N4-10	Zinc	---	**CA
	316 SS	PF10N4-C0	---	Annealed (NACE)	K-Monel®
	4140	PF10N4-80	Zinc	Rc 22 Max (NACE)	
3/8" NPT	1215	PF10N3-10	Zinc	---	**CA
	316 SS	PF10N3-C0	---	Annealed (NACE)	K-Monel®
	4140	PF10N3-80	Zinc	Rc 22 Max (NACE)	
1/4" NPT	1215	PF10N2-10	Zinc	---	**CA
	316 SS	PF10N2-C0	---	Annealed (NACE)	K-Monel®
	4140	PF10N2-80	Zinc	Rc 22 Max (NACE)	
3/4" - 10 UNC	1215	PF13S6-10	Zinc	---	302 SS
5/8" - 11 UNC	1215	PF12S5-10	Zinc	---	302 SS

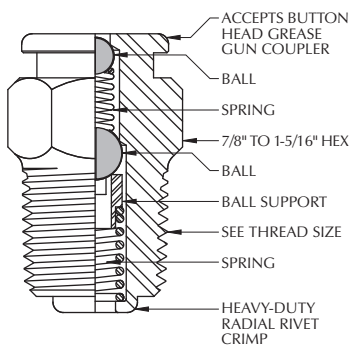


For Service to 10,000 PSI

**CA=AISI 52100 Chrome Alloy ~ Other materials and plating available upon request. PLEASE CONSULT FACTORY FOR PRODUCT AVAILABILITIES.

GIANT BUTTON HEAD FITTINGS

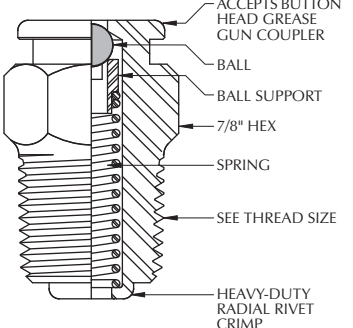
Double Ball Check



THREAD SIZE	MATERIAL	PART NO.	PLATING	HEAT TREATMENT	BALL	SPRING
1" NPT	1215	GB11N8-10	Zinc	---	**CA	302 SS
	316 SS	GB11N8-C0	---	Annealed (NACE)	K-Monel®	Inconel X-750
	4140	GB11N8-80	Zinc	Rc 22 Max (NACE)		
3/4" NPT	1215	GB11N6-10	Zinc	---	CA	302 SS
	316 SS	GB11N6-C0	---	Annealed (NACE)	K-Monel®	Inconel X-750
	4140	GB11N6-80	Zinc	Rc 22 Max (NACE)		
1/2" NPT	1215	GB11N4-10	Zinc	---	CA	302 SS
	316 SS	GB11N4-C0	---	Annealed (NACE)	K-Monel®	Inconel X-750
	4140	GB11N4-80	Zinc	Rc 22 Max (NACE)		
3/8" NPT	1215	GB11N3-10	Zinc	---	CA	302 SS
	316 SS	GB11N3-C0	---	Annealed (NACE)	K-Monel®	Inconel X-750
	4140	GB11N3-80	Zinc	Rc 22 Max (NACE)		
1/4" NPT	1215	GB11N2-10	Zinc	---	CA	302 SS
	316 SS	GB11N2-C0	---	Annealed (NACE)	K-Monel®	Inconel X-750
	4140	GB11N2-80	Zinc	Rc 22 Max (NACE)		
3/4" - 10 UNC	1215	GB16S6-10	Zinc	---	CA	302 SS
5/8" - 11 UNC	1215	GB17S5-10	Zinc	---	CA	302 SS

For Service to 10,000 PSI

Single Ball Check

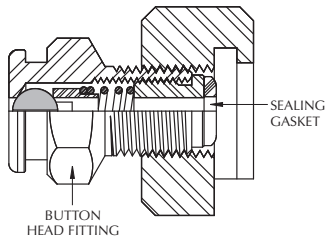


THREAD SIZE	MATERIAL	PART NO.	PLATING	HEAT TREATMENT	BALL	SPRING
1/2" NPT	1215	GB10N4-10	Zinc	---	**CA	302 SS
	316 SS	GB10N4-C0	---	Annealed (NACE)	K-Monel®	Inconel X-750
	4140	GB10N4-80	Zinc	Rc 22 Max (NACE)		
3/8" NPT	1215	GB10N3-10	Zinc	---	CA	302 SS
	316 SS	GB10N3-C0	---	Annealed (NACE)	K-Monel®	Inconel X-750
	4140	GB10N3-80	Zinc	Rc 22 Max (NACE)		
1/4" NPT	1215	GB10N2-10	Zinc	---	CA	302 SS
	316 SS	GB10N2-C0	---	Annealed (NACE)	K-Monel®	Inconel X-750
	4140	GB10N2-80	Zinc	Rc 22 Max (NACE)		
1/8" NPT	1215	GB10N1-10	Zinc	---	CA	302 SS
	316 SS	GB10N1-C0	---	Annealed (NACE)	K-Monel®	Inconel X-750
	4140	GB10N1-80	Zinc	Rc 22 Max (NACE)		
3/8" - 16 UNC	1215	GB18S3-10	Zinc	---	CA	302 SS

For Service to 10,000 PSI

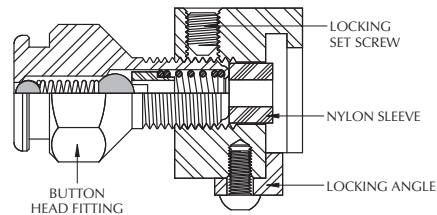
for temporary sealing of leaking button head fittings
LEAK LOCK FITTINGS

Standard Style



APPLICATION	PART NO.
For Giant Button Heads	LL1
For Standard Button Heads	LL2

Nylon Insert / Lock-On Style



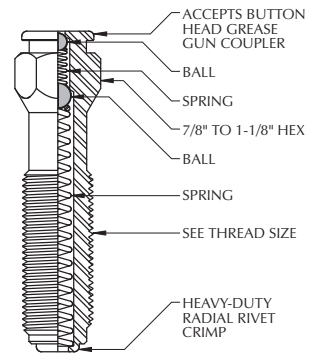
APPLICATION	PART NO.
For Giant Button Heads	LL1-NL
For Standard Button Heads	LL2-NL

PLEASE CONSULT FACTORY FOR PRODUCT AVAILABILITIES. **CA=AISI 52100 Chrome Alloy ~ Other materials and plating available upon request.

COMBINATION LUBRICANT/STICK INJECTORS

Double Ball Check

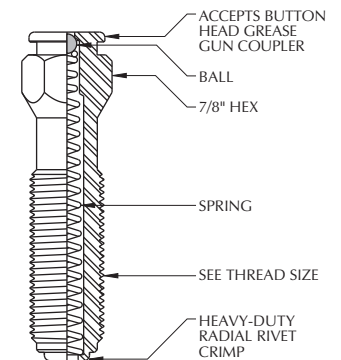
THREAD SIZE	MATERIAL	PART NO.	PLATING	HEAT TREATMENT	BALL	SPRING	OAL
3/4" NPSM	1215	CL11P6-10	Zinc	---	**CA	302 SS	4-5/8"
	316 SS	CL11P6-C0	---	Annealed (NACE)	K-Monel®	Inconel X-750	4-5/8"
1/2" NPSM	1215	CL11P4-10	Zinc	---	CA	302 SS	3-9/16"
	316 SS	CL11P4-C0	---	Annealed (NACE)	K-Monel®	Inconel X-750	3-9/16"
3/8" NPSM	1215	CL11P3-10	Zinc	---	CA	302 SS	3-1/4"
	316 SS	CL11P3-C0	---	Annealed (NACE)	K-Monel®	Inconel X-750	3-1/4"
1/4" NPSM	1215	CL11P2-10	Zinc	---	CA	302 SS	2-7/16"
	316 SS	CL11P2-C0	---	Annealed (NACE)	K-Monel®	Inconel X-750	2-7/16"
7/8" - 9 UNC	1215	CL16S7-10	Zinc	---	CA	302 SS	3-1/8"
3/4" - 10 UNC	1215	CL14S6-10	Zinc	---	CA	302 SS	3-1/16"
5/8" - 11 UNC	1215	CL15S5-10	Zinc	---	CA	302 SS	2-7/8"



For Service to 10,000 PSI

Single Ball Check

THREAD SIZE	MATERIAL	PART NO.	PLATING	HEAT TREATMENT	BALL	SPRING	OAL
3/4" NPSM	1215	CL10P6-10	Zinc	---	**CA	302 SS	4-3/4"
	316 SS	CL10P6-C0	---	Annealed (NACE)	K-Monel®	Inconel X-750	4-3/4"
1/2" NPSM	1215	CL10P4-10	Zinc	---	CA	302 SS	3-5/8"
	316 SS	CL10P4-C0	---	Annealed (NACE)	K-Monel®	Inconel X-750	3-5/8"
3/8" NPSM	1215	CL10P3-10	Zinc	---	CA	302 SS	3-1/32"
	316 SS	CL10P3-C0	---	Annealed (NACE)	K-Monel®	Inconel X-750	3-1/32"
1/4" NPSM	1215	CL10P2-10	Zinc	---	CA	302 SS	2-3/8"
	316 SS	CL10P2-C0	---	Annealed (NACE)	K-Monel®	Inconel X-750	2-3/8"
1" - 10 UNC	1215	CL21S8-10	Zinc	---	CA	302 SS	4-5/8"
3/4" - 10 UNC	1215	CL10S6-10	Zinc	---	CA	302 SS	3-9/32"
1/2" - 13 UNC	1215	CL10S4-10	Zinc	---	CA	302 SS	2-1/8"
3/8" - 16 UNC	1215	CL17S3-10	Zinc	---	CA	302 SS	1-1/2"



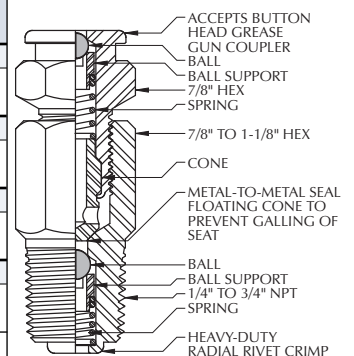
For Service to 10,000 PSI

with floating cone to prevent galling of seat **LOCK SEAL FITTINGS**

Double Ball Check - 2 Piece Metal-to-Metal Seal with Floating Cone to Prevent Galling of Seat

NOTE: This fitting is available as Free Flow style.

THREAD SIZE	MATERIAL	PART NO.	PLATING	HEAT TREATMENT	BALL	SPRING
3/4" NPT	1215	LS10N6-10	Zinc	---	**CA	302 SS
	316 SS	LS10N6-C0	---	Annealed (NACE)	K-Monel®	Inconel X-750
1/2" NPT	1215	LS10N4-10	Zinc	---	CA	302 SS
	316 SS	LS10N4-C0	---	Annealed (NACE)	K-Monel®	Inconel X-750
	4140	LS10N4-80	Zinc	Rc 22 Max (NACE)		
3/8" NPT	1215	LS10N3-10	Zinc	---	CA	302 SS
	316 SS	LS10N3-C0	---	Annealed (NACE)	K-Monel®	Inconel X-750
	4140	LS10N3-80	Zinc	Rc 22 Max (NACE)		
1/4" NPT	1215	LS10N2-10	Zinc	---	CA	302 SS
	316 SS	LS10N2-C0	---	Annealed (NACE)	K-Monel®	Inconel X-750
	4140	LS10N2-80	Zinc	Rc 22 Max (NACE)		



For Service to 10,000 PSI

**CA=AISI 52100 Chrome Alloy ~ Other materials and plating available upon request. PLEASE CONSULT FACTORY FOR PRODUCT AVAILABILITIES.

BODY VENT (BLEEDER) FITTINGS

Standard Hex Head Style

THREAD SIZE	MATERIAL	PART NO.	HEX SIZE	OAL	PLATING	HEAT TREATMENT	BALL
1-1/2" NPT	1215	BV10N12-10	2"	2-5/8"	Zinc	---	440 SS
	316 SS	BV10N12-C0	2"	2-5/8"	Zinc	Annealed (NACE)	**TC
	4140	BV10N12-80				Rc 22 Max (NACE)	
1-1/4" NPT	1215	BV10N10-10	1-3/4"	2-5/16"	Zinc	---	440 SS
	316 SS	BV10N10-C0	1-3/4"	2-5/16"	Zinc	Annealed (NACE)	TC
	4140	BV10N10-80				Rc 22 Max (NACE)	
1" NPT	1215	BV10N8-10	1-5/16"	2-3/16"	Zinc	---	440 SS
	316 SS	BV10N8-C0	1-5/16"	2-3/16"	Zinc	Annealed (NACE)	TC
	4140	BV10N8-80				Rc 22 Max (NACE)	
3/4" NPT	1215	BV10N6-10	1-1/8"	1-5/8"	Zinc	---	440 SS
	316 SS	BV10N6-C0	1-1/8"	1-5/8"	Zinc	Annealed (NACE)	TC
	4140	BV10N6-80				Rc 22 Max (NACE)	
1/2" NPT	1215	BV10N4-10	7/8"	1-1/2"	Zinc	---	440 SS
	316 SS	BV10N4-C0	7/8"	1-1/2"	Zinc	Annealed (NACE)	TC
	4140	BV10N4-80				Rc 22 Max (NACE)	
3/8" NPT	1215	BV10N3-10	7/8"	1-9/16"	Zinc	---	440 SS
	316 SS	BV10N3-C0	7/8"	1-9/16"	Zinc	Annealed (NACE)	TC
	4140	BV10N3-80				Rc 22 Max (NACE)	
1/4" NPT	1215	BV10N2-10	7/8"	1-5/8"	Zinc	---	440 SS
	316 SS	BV10N2-C0	7/8"	1-5/8"	Zinc	Annealed (NACE)	TC
	4140	BV10N2-80				Rc 22 Max (NACE)	

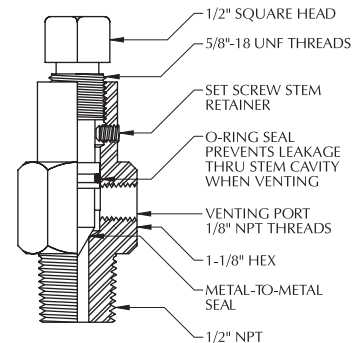
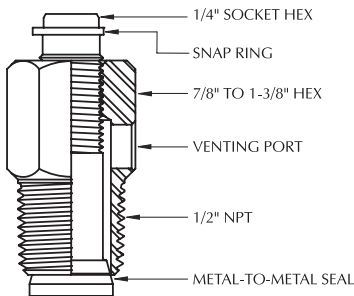
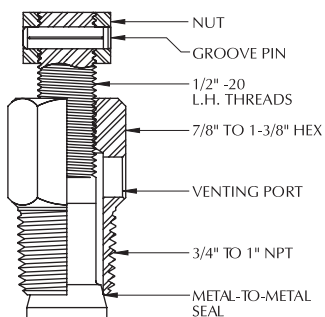
For Service to 10,000 PSI

Hex Socket Head Style

THREAD SIZE	MATERIAL	PART NO.	HEX SIZE	OAL	PLATING	HEAT TREATMENT	BALL
3/4" NPT	1215	BV10N6-10-T1	1-1/8"	1-5/8"	Zinc	---	440 SS
	316 SS	BV10N6-C0-T1	1-1/8"	1-5/8"	Zinc	Annealed (NACE)	**TC
	4140	BV10N6-80-T1				Rc 22 Max (NACE)	
1/2" NPT	1215	BV10N4-10-T1	7/8"	1-1/2"	Zinc	---	440 SS
	316 SS	BV10N4-C0-T1	7/8"	1-1/2"	Zinc	Annealed (NACE)	TC
	4140	BV10N4-80-T1				Rc 22 Max (NACE)	
3/8" NPT	1215	BV10N3-10-T1	7/8"	1-9/16"	Zinc	---	440 SS
	316 SS	BV10N3-C0-T1	7/8"	1-9/16"	Zinc	Annealed (NACE)	TC
	4140	BV10N3-80-T1				Rc 22 Max (NACE)	
1/4" NPT	1215	BV10N2-10-T1	7/8"	1-5/8"	Zinc	---	440 SS
	316 SS	BV10N2-C0-T1	7/8"	1-5/8"	Zinc	Annealed (NACE)	TC
	4140	BV10N2-80-T1				Rc 22 Max (NACE)	

For Service to 10,000 PSI

Optional Style of Body Vent (Bleeder) Fittings



THREAD SIZE	MATERIAL		PART NO.
	BODY	STEM	
1" NPT	1018	4140	BV1-C-10
	316 SS	K-Monel®	BV1-C-2
3/4" NPT	1018	4140	BV34-C-10
	316 SS	K-Monel®	BV34-C-2

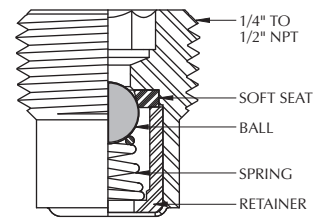
THREAD SIZE	MATERIAL		PART NO.
	BODY	STEM	
1/2" NPT	1018	4140	BV12-C-10-Y2
	316 SS	17-4pH	BV12-C-2-Y2

THREAD SIZE	MATERIAL		PART NO.
	BODY	STEM	
1/2" NPT	12L14	316 SS	BV16N4-20
	1018	316 SS	BV16N4-30
	316 SS	316 SS	BV16N4-C0

PLEASE CONSULT FACTORY FOR PRODUCT AVAILABILITIES. **TC=Tungsten Carbide ~ Other materials and plating available upon request.

Single Ball Check, Soft Seat, Spring Biased

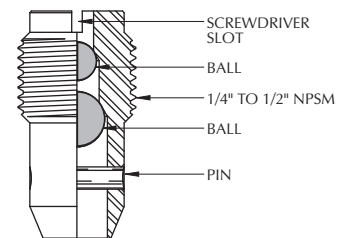
THREAD SIZE	MATERIAL	PART NO.	PLATING	HEAT TREATMENT	BALL	SPRING	OAL
1/2" NPT	316 SS	IC10N4-C0	---	Annealed (NACE)	K-Monel®	Inconel X-750	15/16"
	4140	IC10N4-80	Zinc	Rc 22 Max (NACE)	K-Monel®	Inconel X-750	15/16"
3/8" NPT	316 SS	IC10N3-C0	---	Annealed (NACE)	K-Monel®	Inconel X-750	7/8"
	4140	IC10N3-80	Zinc	Rc 22 Max (NACE)	K-Monel®	Inconel X-750	7/8"
1/4" NPT	316 SS	IC10N2-C0	---	Annealed (NACE)	K-Monel®	Inconel X-750	3/4"
	4140	IC10N2-80	Zinc	Rc 22 Max (NACE)	K-Monel®	Inconel X-750	3/4"
1/4" NPT	316 SS	IC11N2-C0	---	Annealed (NACE)	K-Monel®	Inconel X-750	21/32"
	4140	IC11N2-80	Zinc	Rc 22 Max (NACE)	K-Monel®	Inconel X-750	21/32"



For Service to 10,000 PSI

Double Ball Check (Floating)

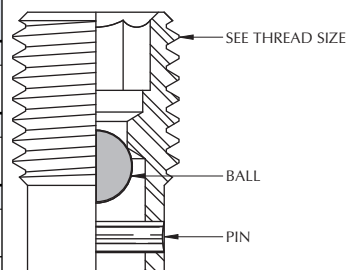
THREAD SIZE	MATERIAL	PART NO.	PLATING	HEAT TREATMENT	BALL	OAL
1/2" NPSM	1215	IC12P4-10	Zinc	---	**CA	1-5/8"
	316 SS	IC12P4-C0	---	Annealed (NACE)	K-Monel®	1-5/8"
3/8" NPSM	1215	IC12P3-10	Zinc	---	CA	1-9/32"
	316 SS	IC12P3-C0	---	Annealed (NACE)	K-Monel®	1-9/32"
1/4" NPSM	1215	IC12P2-10	Zinc	---	CA	1"
	316 SS	IC12P2-C0	---	Annealed (NACE)	K-Monel®	1"



For Service to 10,000 PSI

Single Ball Check (Floating)

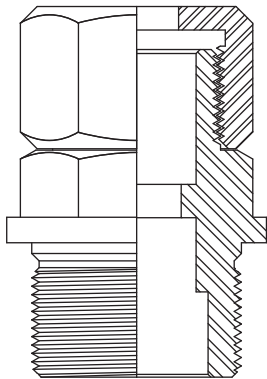
THREAD SIZE	MATERIAL	PART NO.	PLATING	HEAT TREATMENT	BALL	OAL
1" - 8 UNC	1215	IC13S8-10	Zinc	---	**CA	1-9/16"
	316 SS	IC13S8-C0	---	Annealed (NACE)	K-Monel®	1-9/16"
	4140	IC13S8-80	Zinc	Rc 22 Max (NACE)	K-Monel®	1-9/16"
7/8" - 9 UNC	1215	IC13S7-10	Zinc	---	CA	1-7/16"
	316 SS	IC13S7-C0	---	Annealed (NACE)	K-Monel®	1-7/16"
	4140	IC13S7-80	Zinc	Rc 22 Max (NACE)	K-Monel®	1-7/16"
3/4" - 10 UNC	1215	IC13S6-10	Zinc	---	CA	1-1/4"
	316 SS	IC13S6-C0	---	Annealed (NACE)	K-Monel®	1-1/4"
	4140	IC13S6-80	Zinc	Rc 22 Max (NACE)	K-Monel®	1-1/4"



**CA=AISI 52100 Chrome Alloy ~ Other materials and plating available upon request. PLEASE CONSULT FACTORY FOR PRODUCT AVAILABILITIES.

ORIFICE FITTING COMPONENTS

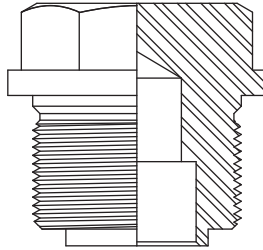
Stuffing Box with Nut



1-9/16" - 16 UNS

MATERIAL	PART NO.	PLATING
1215	ASB1562	Zinc

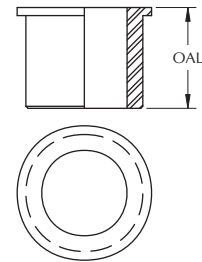
Bearing Plug



1-9/16" - 16 UNS

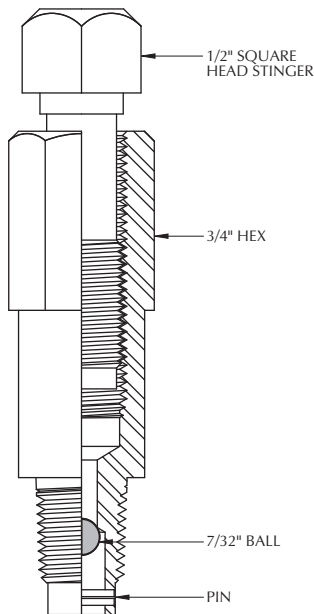
MATERIAL	PART NO.	PLATING
1215	BP1562	Zinc

Packing (Gland) Retainer



DESCRIPTION	PART NO.	MATERIAL
5/8" I.D. x 1/4" OAL	PG625X25-2	316 SS
5/8" I.D. x 3/4" OAL	PG625X75-2	316 SS

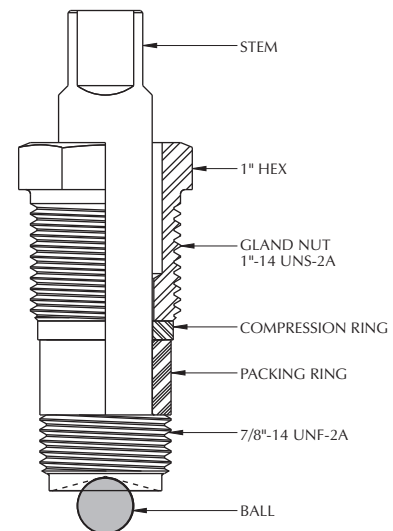
Injection Fitting



INJECTION FITTING - "GREASE GUN" 1/4" NPT

MATERIAL	PART NO.	PLATING	HEAT TREATMENT	BALL
1215	PIF14-D	Zinc	- - -	**CA
316 SS	PIF14-D-2	- - -	Annealed (NACE)	K-Monel®
4140	PIF14-D-3	Zinc	Rc 22 Max (NACE)	K-Monel®

Equalizer Assembly



SOLD AS AN ASSEMBLY ONLY.
COMPONENTS NOT READILY AVAILABLE FOR INDIVIDUAL SALE.

THREAD SIZE	PART NO.	STEM	COMPRESSION RING	PACKING RING	GLAND NUT	BALL
7/8" - 14 UNF	EQ78-2	316 SS	316 SS	Teflon®	1215	440 SS
	EQ78-SP-2	316 SS	316 SS	Teflon®	316 SS	440 SS

PLEASE CONSULT FACTORY FOR PRODUCT AVAILABILITIES. **CA=AISI 52100 Chrome Alloy ~ Other materials, plating and configurations available upon request.

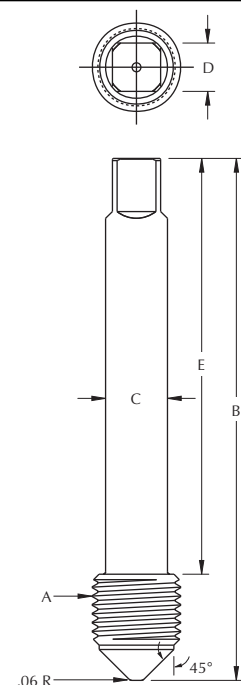
WELLHEAD AND TREE COMPONENTS

Other materials, plating and configurations available upon request. Please consult factory for product availabilities.

NOTE: Standard Lockscrews are produced from AISI 4140 material and heat treated to meet the requirements of ASTM A193 Grade B-7. Plating is Zinc.

Lockscrews

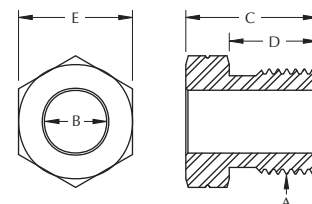
A THREAD	B LENGTH	C DIAMETER	D FLATS	E LENGTH	PART NO.	STANDARD GLAND
1-1/2"-8 UN	10-1/8"	1-1/8"	1"	7-5/16"	LP19S12-80	PG16S14-10
1-1/2"-8 UN	12"	1-1/8"	1"	9-5/32"	LP20S12-80	PG16S14-10
1-1/4"-12 UNF	6-7/8"	1"	3/4"	5-1/2"	LP14S10-80	PG13S13-10
1-1/4"-12 UNF	7-5/8"	1"	3/4"	6-13/64"	LP15S10-80	PG13S13-10
1-1/4"-12 UNF	9"	1"	3/4"	7-9/16"	LP16S10-80	PG13S13-10
1-1/4"-12 UNF	10"	1"	3/4"	8-9/16"	LP17S10-80	PG13S13-10
1-1/4"-12 UNF	11"	1"	3/4"	9-9/16"	LP18S10-80	PG13S13-10
1-1/4"-12 UNF	12-1/4"	1"	3/4"	10-15/16"	LP22S10-80	PG13S13-10
1-1/4"-12 UNF	13-1/2"	1"	3/4"	12-1/8"	LP25S10-80	PG13S13-10
1-1/4"-12 UNF	7"	7/8"	11/16"	5-5/8"	LP23S10-80	PG13S13-10
1-1/4"-7 UNC	7-1/4"	1"	3/4"	5-3/4"	LP06S10-80	PG15S14-10
1-1/4"-7 UNC	9-1/2"	1"	3/4"	8-1/16"	LP07S10-80	PG15S14-10
1-1/4"-7 UNC	10-1/2"	1"	3/4"	8-9/16"	LP08S10-80	PG15S14-10
1-1/4"-7 UNC	7"	7/8"	3/4"	5-1/2"	LP05S10-80	PG12S12-10
1-1/4"-7 UNC	9-3/4"	7/8"	11/16"	8-1/4"	LP26S10-80	PG12S12-10
1-1/4"-8 UN	6-3/4"	7/8"	11/16"	5-1/4"	LP09S10-80	PG11S12-10
1-1/4"-8 UN	7-3/8"	7/8"	11/16"	5-7/8"	LP10S10-80	PG11S12-10
1-1/4"-8 UN	8-3/4"	7/8"	11/16"	7-1/4"	LP11S10-80	PG11S12-10
1-1/4"-8 UN	10-1/8"	7/8"	11/16"	8-3/16"	LP12S10-80	N/A
1-1/4"-8 UN	11-1/2"	7/8"	11/16"	10-1/16"	LP13S10-80	PG11S12-10
1-1/8"-8 UN	7-1/4"	13/16"	11/16"	5-29/32"	LP01S9-80	PG14S12-10
1-1/8"-8 UN	8-3/4"	13/16"	11/16"	7-5/16"	LP02S9-80	PG14S12-10
1-1/8"-8 UN	9-3/4"	13/16"	11/16"	7-3/4"	LP03S9-80	PG14S12-10



NOTE: Standard Glands are produced from 1215 material and Zinc plated.

Packing Glands; Type "A"

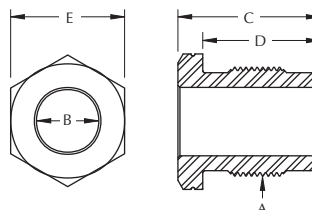
A THREAD	B BORE	C LENGTH	D LENGTH	E HEX	PART NO.	JUNK RING REQUIRED
1-1/2"-6 UNC	57/64"	1-1/4"	7/8"	1-5/8"	PG10S12-10	JR11-10
1-1/2"-8 UN	57/64"	1-7/8"	1-1/4"	1-5/8"	PG11S12-10	JR12-10 or JR11-10
1-1/2"-10 UN	57/64"	1-7/8"	1-1/4"	1-5/8"	PG12S12-10	JR11-10
1-3/4"-8 UN	1-5/32"	2-3/4"	1-5/16"	2"	PG16S14-10	JR14-10



NOTE: Standard Glands are produced from 1215 material and Zinc plated.

Packing Glands; Type "B"

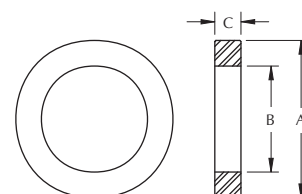
A THREAD	B BORE	C LENGTH	D LENGTH	E HEX	PART NO.	JUNK RING REQUIRED
1-5/8"-12 UN	1-1/32"	2-1/8"	1-3/4"	1-3/4"	PG13S13-10	JR10-10
1-1/2"-12 UNF	53/64"	2-11/16"	1-15/16"	1-1/2"	PG14S12-10	JR12-10 or JR20-10
1-3/4"-12 UN	1-1/64"	2-11/16"	1-15/16"	1-3/4"	PG15S14-10	JR10-10



NOTE: Standard Junk Rings are produced from 1215 material and Zinc plated.

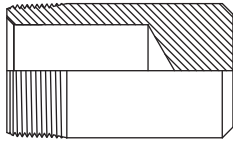
Junk Rings

A O.D.	B I.D.	C THICKNESS	PART NO.
1-1/2"	1-1/64"	1/4"	JR10-10
1-1/4"	57/64"	1/4"	JR11-10
1-3/8"	57/64"	1/4"	JR12-10
1-5/8"	1-9/64"	1/4"	JR14-10
1-3/8"	53/64"	1/4"	JR20-10



WELLHEAD AND TREE COMPONENTS & PLUGS

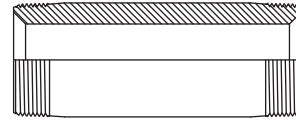
Bull Plugs



THREAD TYPE AND SIZE	MATERIAL	PART NO.	OAL	I.D.
2" LP Plain	1040/1045	C3-009-40	4"	1-5/8"
2" LP - 1/2" NPT	1040/1045	C3-010-40	4"	1-5/8"
2-3/8" - EUE-8RD - 1/2" NPT	1040/1045	C3-012-40	5"	1-1/2"
2-7/8" - EUE - 8RD - 1/2" NPT	1040/1045	C3-014-40	5-1/2"	1-3/4"

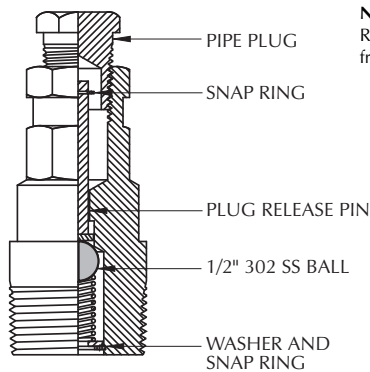
API MONOGRAMMABLE VERSIONS AVAILABLE

Nipples



THREAD SIZE	MATERIAL	PART NO.	OAL	TUBE O.D.	TUBE I.D.
2" LP	A106 Grade B XXH Seamless Pipe	C4-002-40	6"	2.40"	1-1/2"
	A106 Grade B XXH Seamless Pipe	C4-003-40	8"	2.40"	1-1/2"

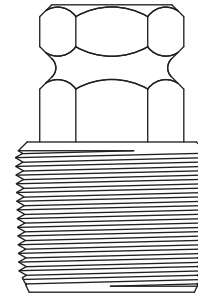
Valve Removal Plugs - Bleeder



NOTE: Bleeder-Valve Removal Plugs are produced from 4140 material.

THREAD SIZE	PART NO.	OAL	HEX	PLATING	HEAT TREATMENT
1-1/4" LP	VR13N10-80	3-1/2"	1-1/4"	Zinc	Rc 22 Max (NACE)
1-1/2" LP	VR13N12-80	3-1/2"	1-1/4"	Zinc	Rc 22 Max (NACE)

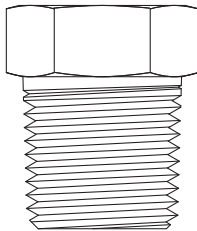
Valve Removal Plugs - Solid



THREAD SIZE	MATERIAL	PART NO.	OAL	HEX	PLATING	HEAT TREATMENT
1-1/4" LP	4140	VR10N10-80	2-7/8"	1-1/4"	Zinc	Rc 22 Max (NACE)
	4130	VR10N12-70	2-7/8"	1-1/4"	Zinc	Rc 22 Max (NACE)
1-1/2" LP	4140	VR10N12-80	2-7/8"	1-1/4"	Zinc	Rc 22 Max (NACE)
	4130	VR11N10-70	2-7/8"	1-1/8"	Zinc	Rc 22 Max (NACE)
1-1/4" LP	4140	VR11N10-80	2-7/8"	1-1/8"	Zinc	Rc 22 Max (NACE)
	4140	VR12N10-80	3-1/2"	1-1/4"	Zinc	Rc 22 Max (NACE)
1-1/2" LP	4140	VR12N12-80	3-1/2"	1-1/4"	Zinc	Rc 22 Max (NACE)

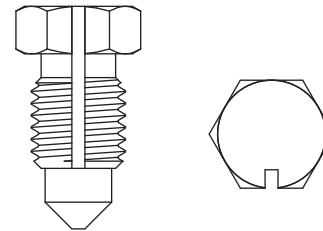
API MONOGRAMMABLE VERSIONS AVAILABLE

Cavity Plugs



THREAD SIZE	MATERIAL	PART NO.	HEAT TREATMENT	PLATING
1" NPT	1215	CP1	---	Zinc
	316 SS	CP1-2	Annealed (NACE)	---
	4140	CP1-3	Rc 22 Max (NACE)	Zinc
3/4" NPT	1215	CP34	---	Zinc
	316 SS	CP34-2	Annealed (NACE)	---
	4140	CP34-3	Rc 22 Max (NACE)	Zinc
1/2" NPT	1215	CP12	---	Zinc
	316 SS	CP12-2	Annealed (NACE)	---
	4140	CP12-3	Rc 22 Max (NACE)	Zinc

Packing Injection / Bleeder Plugs



THREAD SIZE	MATERIAL	PART NO.	HEAT TREATMENT	PLATING
7/8" - 9 UNC	1215	PIBP78	---	Zinc
	4140	PIBP78-3	Rc 22 Max (NACE)	Zinc
	17-4 pH	PIBP78-17	HH1150 (NACE)	---
1/2" - 13 UNC	1215	PIBP12	---	Zinc
	4140	PIBP12-3	Rc 22 Max (NACE)	Zinc
	17-4 pH	PIBP12-17	HH1150 (NACE)	---

PLEASE CONSULT FACTORY FOR PRODUCT AVAILABILITIES. Other materials, plating and configurations available upon request.

PGI International has performed contract manufacturing of quality machined components, sub-assemblies and full assemblies for over 60 years to suppliers and manufacturers of oilfield equipment, valves, actuators, instrumentation, geophysical equipment, automotive components, power plant products, construction equipment, petrochemical equipment and heat exchangers. Contract manufacturing has always been, and will continue to be, a very important segment of our business.

We are experienced in conforming to NACE, API, and ANSI specifications, with full traceability if required. We have the capabilities to machine mild and medium carbon steel, alloy steel, stainless alloy, Monel, Inconel, and aluminum. PGI International's 185,000 sq. ft. manufacturing facility includes over 200 machines in 5 machining departments and 3 assembly departments. We welcome your inquiries.

PRODUCT QUALITY CERTIFICATIONS

ISO 9001:2000

In 1996 PGI's Quality Management System achieved ISO 9001 certification. As a result of our continued efforts and commitment to quality, we have maintained this universal quality standard for more than 11 years, and in 2003, were recertified to ISO 9001:2000. In addition, PGI's Quality Management System ensures that our products conform to ASME standards and enables us to receive certifications from Underwriters Laboratory, Factory Mutual, CSA and D.O.T., when applicable.

API

In November of 2005 our quality management system was audited and successfully met the requirements of the American Petroleum Institute (API) specification Q1 and API 6A, and we have therefore been granted the right to use the Official API Monogram on applicable manufactured products.

TERMS AND CONDITIONS OF SALE

All orders are subject to acceptance by PGI International. Prices are subject to change without notice and are subject to the addition of any applicable excise or sales taxes levied by local, state, or federal authorities.

All shipments are FOB PGI International's facility in Houston, Texas USA. Orders will be accepted subject to approval of the purchaser's credit by PGI International. After credit approval, payment terms will be Net within 30 days, from shipping date, in U.S. Funds.

Deliveries may be subject to delays caused by conditions beyond the control of PGI International and PGI International is to be held harmless from damages and incidentals from these instances.

Returns of product require prior written approval. Returns not involving material deficiencies will be subject to a restocking and handling charge at the discretion of PGI International. All returns of this nature are to be shipped FOB PGI International's location.

Cancellation of orders peculiar to customer's specific design or constituting a major investment by PGI International will

be canceled only when full payment for expenses incurred is agreed to.

PGI International warrants its products to be free of defects in material and workmanship at time of shipment and conform to seller's specifications or, if applicable, to buyer's specifications accepted in writing by seller. This warranty is for one (1) year from the date of shipment and is limited to the repair or replacement of any item manufactured by PGI International.

Claims for material quality or workmanship failure are subject to inspection and approval by PGI International. PGI International is to be held harmless for any loss in excess of original purchase price of product. Since conditions of actual use are beyond control of seller, the foregoing warranty extends only to normal use and service.

No liability will be assumed by PGI International for the infringement of any patent rights asserted because of the nature, structure, or use of any products ordered by the purchaser, and the purchaser agrees to hold PGI International harmless to any such claims.

OTHER PGI PRODUCTS AND SERVICES

Instrument Valves and Manifolds
Power Plant Valves and Manifolds
Direct-Mount™ Manifold Systems
ThermoElectric Battery Chargers
Gas and Liquid Sampling Systems
Heated Enclosure Sampling Systems
Thermowells & Probes
On-Site Pulsation Testing
Propane and Anhydrous Ammonia Valves
Contract Machining



PGI International
Excellence Through Innovation

16101 Vallen Drive
Houston, Texas 77041 USA
Tel: (713) 744-9880
(800) 231-0233
Fax: (713) 744-9881
www.pgiint.com
sales@pgiint.com