



**PGI International**

16101 Vallen Drive  
Houston, Texas 77041  
(713) 466-0056

# SAMPLER PROBE SPECIFICATIONS

P R X X - X X X X X X X X X X

**Specify Options Only**

1 0	<b>Single Flow Probe</b> std. w/ no valve, 1/2" MNPT inlet x 1/4" FNPT outlet, 3/8" O.D. tube x 8" long
1 5	<b>Single Flow Integral Valve Probe</b> std. w/ 1/2" MNPT inlet x 1/4" FNPT outlet, 3/8" O.D. tube x 8" long, .250" orifice integral valve
1 6	<b>Direct Mount Single Flow Integral Valve Stabilized Connector Probe</b> std. w/ 1/2" MNPT inlet x 3/4" FNPT outlet, 3/8" O.D. tube x 8" long, .187" orifice integral valves
1 7	<b>Single Flow Integral Valve Probe</b> std. w/ 3/4" MNPT inlet x 1/2" FNPT outlet, 3/8" O.D. tube x 8" long, .250" orifice integral valve
2 0	<b>Dual Flow Probe</b> std. w/ no valves, 1/2" MNPT inlet x 1/4" FNPT outlet, 1/4" O.D. tube x 8" long std. w/no valve
2 5	<b>Dual Flow Integral Valve Probe</b> std. w/ 3/4" MNPT inlet x 1/4" FNPT outlet, 3/8" O.D. tube x 8" long, .250" orifice integral valves
3 0	<b>Hot Tap Single Flow Probe</b> std. w/ no valve, 1/2" MNPT inlet x 1/4" FNPT outlet, 1/4" O.D. tube x 8" long (locking ferrule not set)
4 0	<b>Hot Tap Dual Flow Probe</b> std. w/ no valves, 1/2" MNPT inlet x 1/4" FNPT outlet, 1/4" O.D. tube x 8" long (locking ferrule not set)
5 0	<b>Direct Mount Dual Flow Integral Valve Probe</b> std. w/ 3/4" MNPT inlet x "D" adapter outlet, 3/8" O.D. tube x 8" long, .250" orifice integral valves
5 5	<b>Direct Mount Single Flow Integral Valve Probe</b> std. w/ 3/4" MNPT inlet x "S" adapter outlet, 3/8" O.D. tube x 8" long, .187" orifice integral valves
6 0	<b>Direct Horizontal Mount Dual Flow Integral Valve Stabilized Connector Probe</b> std. w/ 3/4" MNPT inlet x 3/4" FNPT outlet, 3/8" O.D. tube x 8" long, .250" orifice integral valves - "S" adapter
6 5	<b>Direct Mount Dual Flow Integral Valve Probe</b> std. w/ 3/4" MNPT inlet x 3/4" FNPT outlet, 3/8" O.D. tube x 8" long, .250" orifice integral valves - "S" adapter

**Probe Options** *Note: Do not specify STD options in Part Number*

F 1	3" 300# SS raised face flange (inlet side)
F 1 J	3" 300# SS RTJ
F 2	1" 150# SS raised face flange (inlet side)
F 2 J	1" 150# SS RTJ
F 3	2" 300# SS raised face flange (inlet side)
F 3 J	2" 300# SS RTJ
F 4	1" 600# SS raised face flange (inlet side)
F 4 J	1" 600# SS RTJ
F 5	2" 600# SS raised face flange (inlet side)
F 5 J	2" 600# SS RTJ
F 6	1" 300# SS raised face flange (inlet side)
F 6 J	1" 300# SS RTJ
F 7	2" 900# SS raised face flange (inlet side)
F 7 J	2" 900# SS RTJ
F 8	2" 150# SS raised face flange (inlet side)
F 8 J	2" 150# SS RTJ
H T	High Temp (Change to 316SS Bushing & Grafoil Seal Ring) -- Only For PR30 and PR40
K 3	3/4" SW inlet
K 4	1" SW inlet
L X X	Non standard probe length (")
N 3	3/4" MNPT inlet
N 4	1" MNPT inlet
S K	Kel-F® Seat
S P	PEEK® Seat
V 1	Valve(s), .187 orifice, 316SS, 1/4" M x F
V 2	Valve(s), .250 orifice, 316SS, 1/4" M x F
W 1	SS ID Tag

P R X X - X X X X X X X X X X

**Sampler Probe Seats**

PART #	.187" ORIFICE DESCRIPTIONS
SP3-003-R1	PEEK® Cone Seat, V1 Series
SP3-003-R2	Kel-F® Cone Seat, V1 Series
SP3-003-R4	Delrin® Cone Seat, V1 Series (STD)

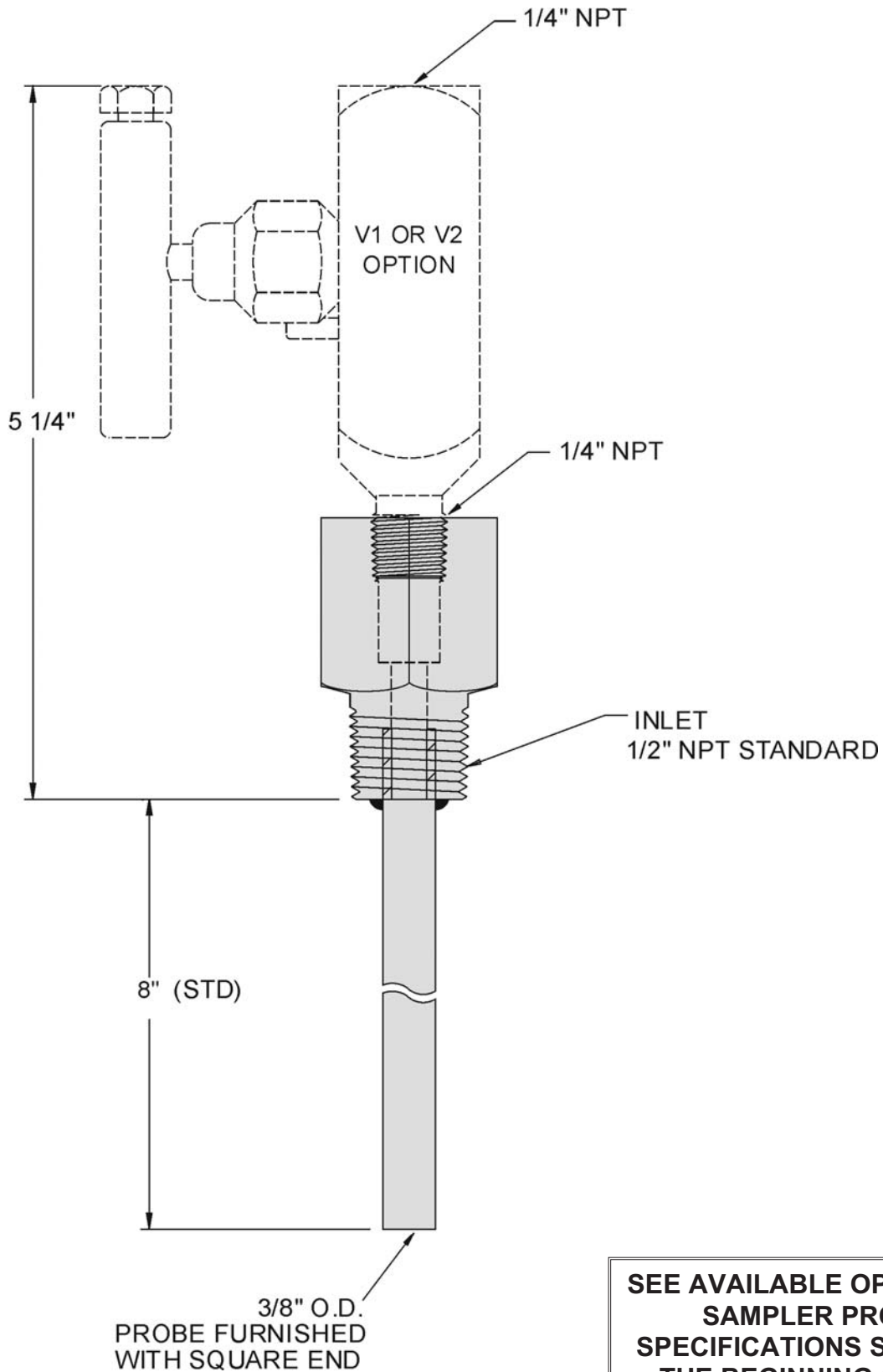
PART #	.250" ORIFICE DESCRIPTIONS
SP3-012-R1	Kel-F® Cone Seat, V2 Series
SP3-012-R2	PEEK® Cone Seat, V2 Series
SP3-012-R4	Delrin® Cone Seat, V2 Series (STD)



**PGI International**

16101 Vallen Drive  
Houston, Texas 77041  
(713) 466-0056

# PR10 SINGLE FLOW PROBE



**ALL 316 SS CONSTRUCTION**

**SEE AVAILABLE OPTIONS ON  
SAMPLER PROBE  
SPECIFICATIONS SHEET AT  
THE BEGINNING OF THE  
SAMPLER PROBE SECTION.**



**PGI International**

16101 Vallen Drive  
Houston, Texas 77041  
(713) 466-0056

**PR15 SINGLE FLOW  
INTEGRAL PROBE**

TEFLON  
PRESSURE-CORE™  
STEM SEAL

1/4" NPT

DELRIN SOFT SEAT  
.250" ORIFICE

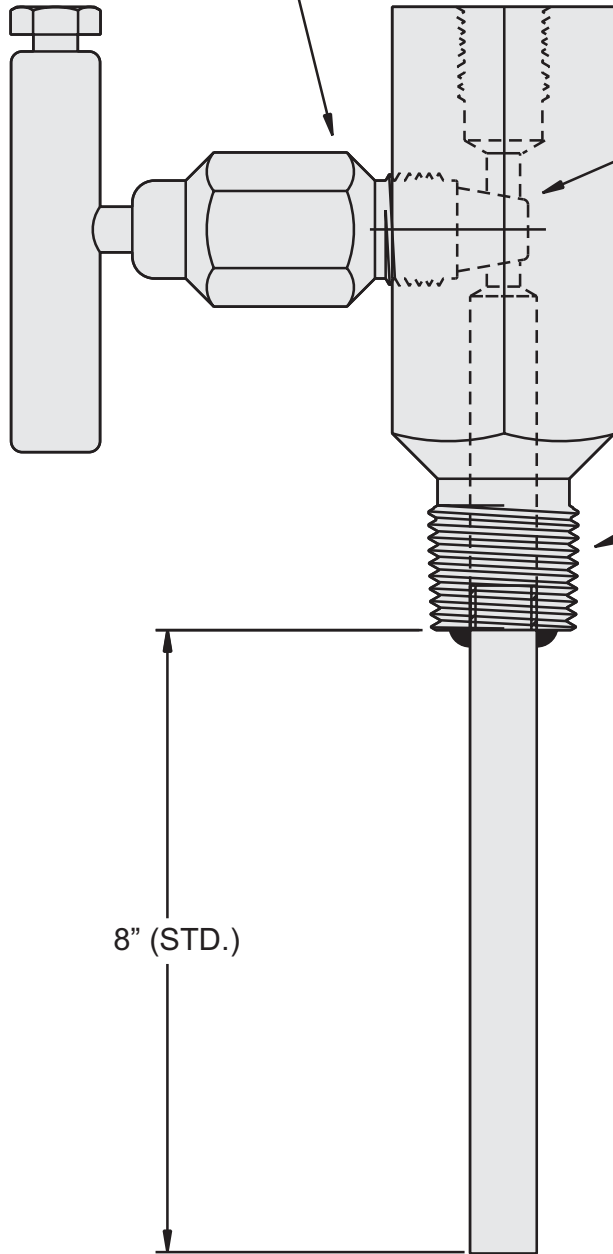
INLET  
1/2" NPT (STD)

8" (STD.)

3/8" O.D.  
PROBE FURNISHED  
WITH SQUARE END

**ALL 316 SS CONSTRUCTION**

**SEE AVAILABLE OPTIONS ON  
SAMPLER PROBE  
SPECIFICATIONS SHEET AT  
THE BEGINNING OF THE  
SAMPLER PROBE SECTION.**



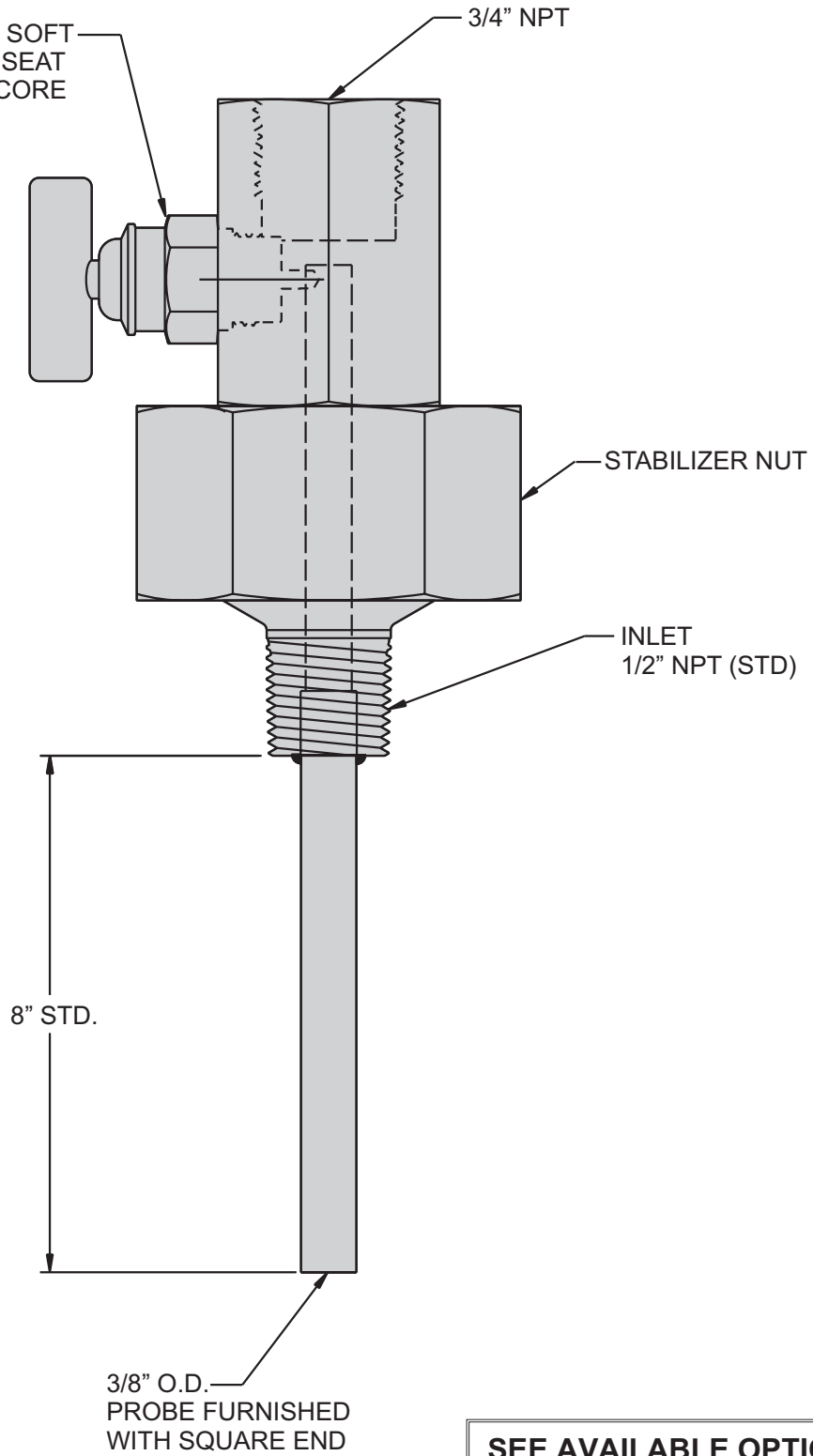


**PGI International**

16101 Vallen Drive  
Houston, Texas 77041  
(713) 466-0056

**PR16 SINGLE FLOW  
INTEGRAL PROBE**

.136 BORE INTEGRAL SOFT  
SEAT VALVE, DELRIN SEAT  
TEFLON PRESSURE-CORE  
STEM SEAL



**ALL 316 SS CONSTRUCTION**

**SEE AVAILABLE OPTIONS ON  
SAMPLER PROBE  
SPECIFICATIONS SHEET AT  
THE BEGINNING OF THE  
SAMPLER PROBE SECTION.**



**PGI International**

16101 Vallen Drive  
Houston, Texas 77041  
(713) 466-0056

**PR17 SINGLE FLOW  
INTEGRAL VALVE PROBE**

TEFLON  
PRESSURE-CORE™  
STEM SEAL

1/2" NPT

DELRIN SOFT SEAT  
.250" ORIFICE

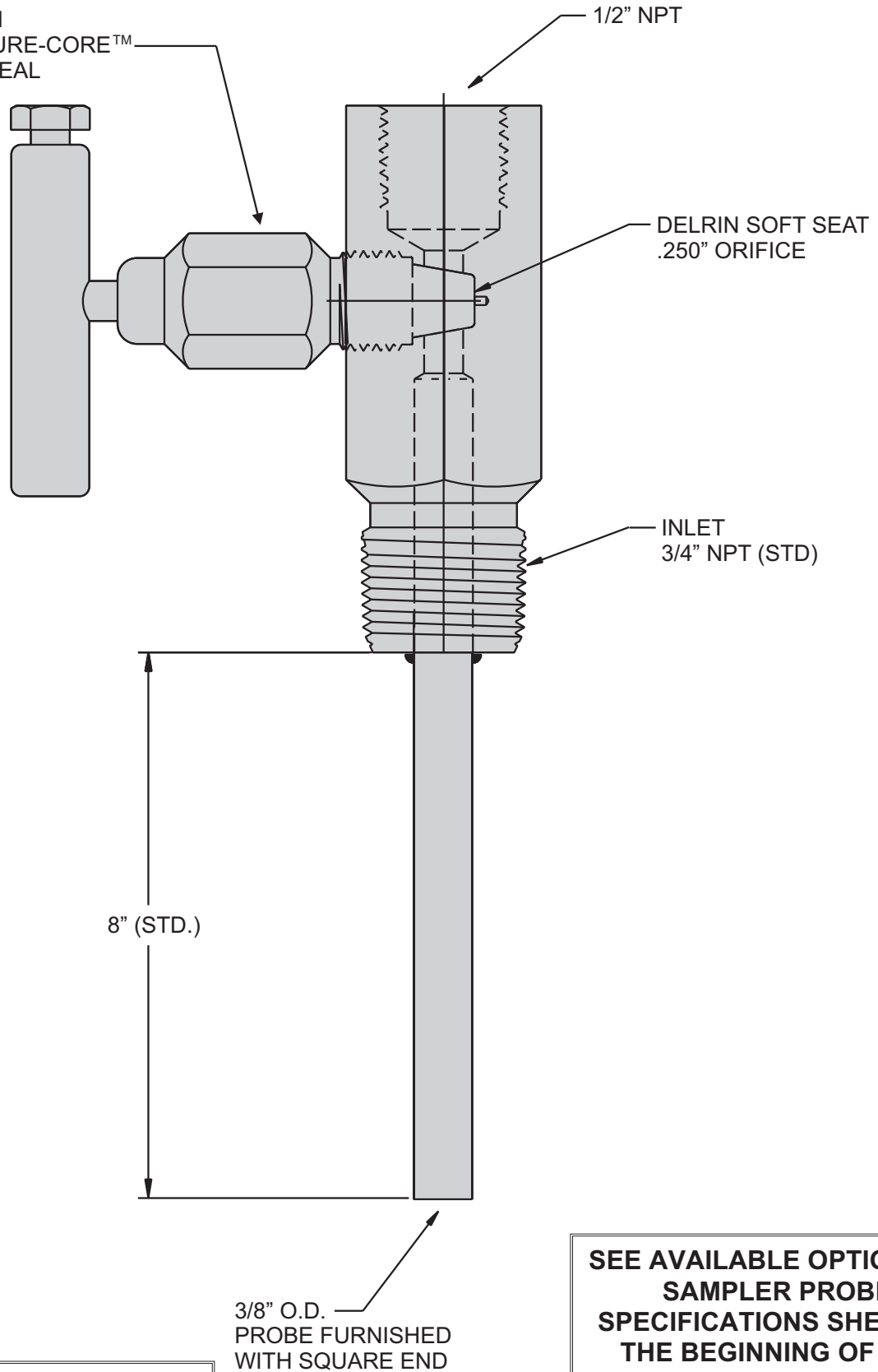
INLET  
3/4" NPT (STD)

8" (STD.)

3/8" O.D.  
PROBE FURNISHED  
WITH SQUARE END

**ALL 316 SS CONSTRUCTION**

**SEE AVAILABLE OPTIONS ON  
SAMPLER PROBE  
SPECIFICATIONS SHEET AT  
THE BEGINNING OF THE  
SAMPLER PROBE SECTION.**

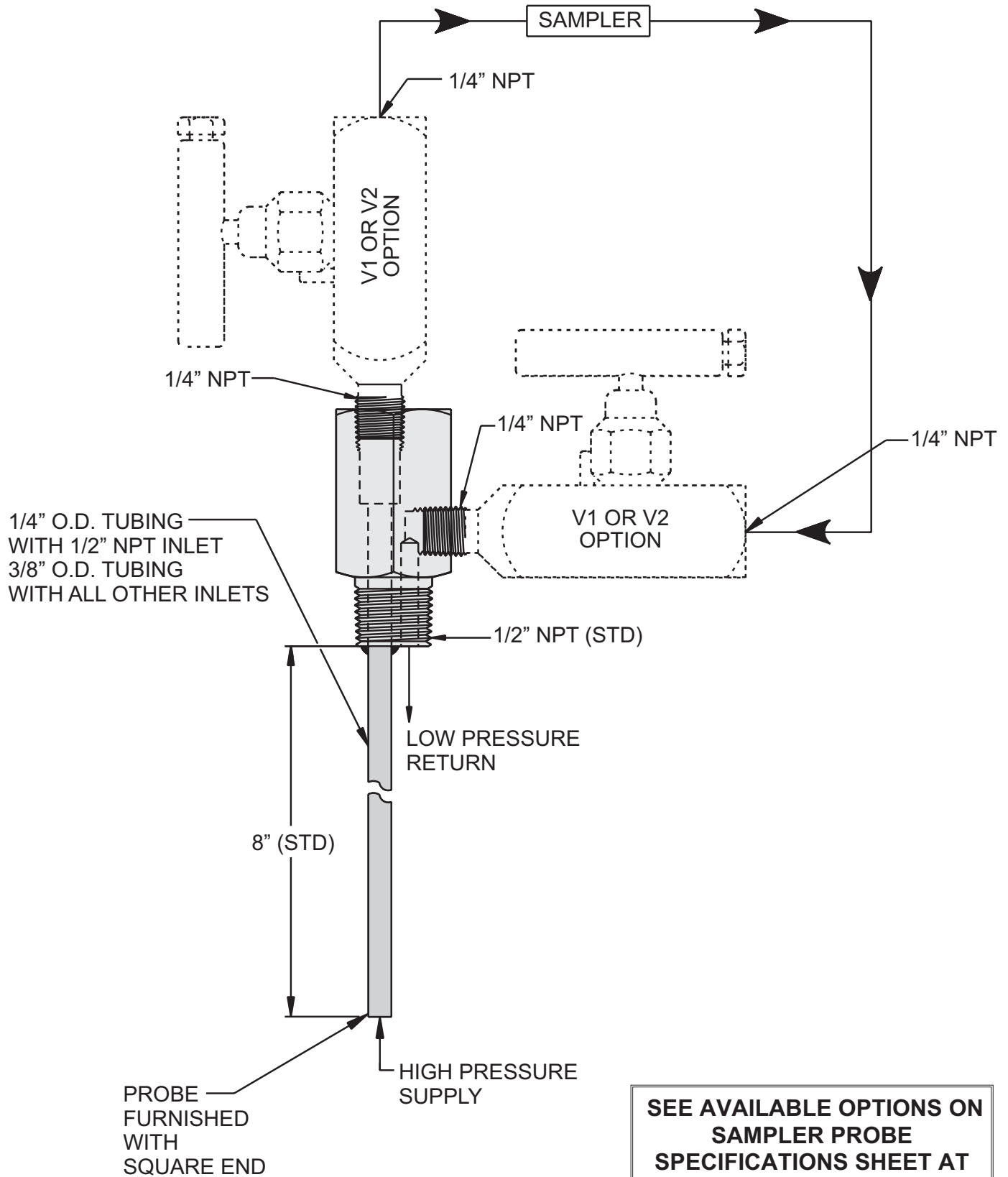




**PGI International**

16101 Vallen Drive  
Houston, Texas 77041  
(713) 466-0056

# PR20 DUAL FLOW PROBE



**ALL 316 SS CONSTRUCTION**

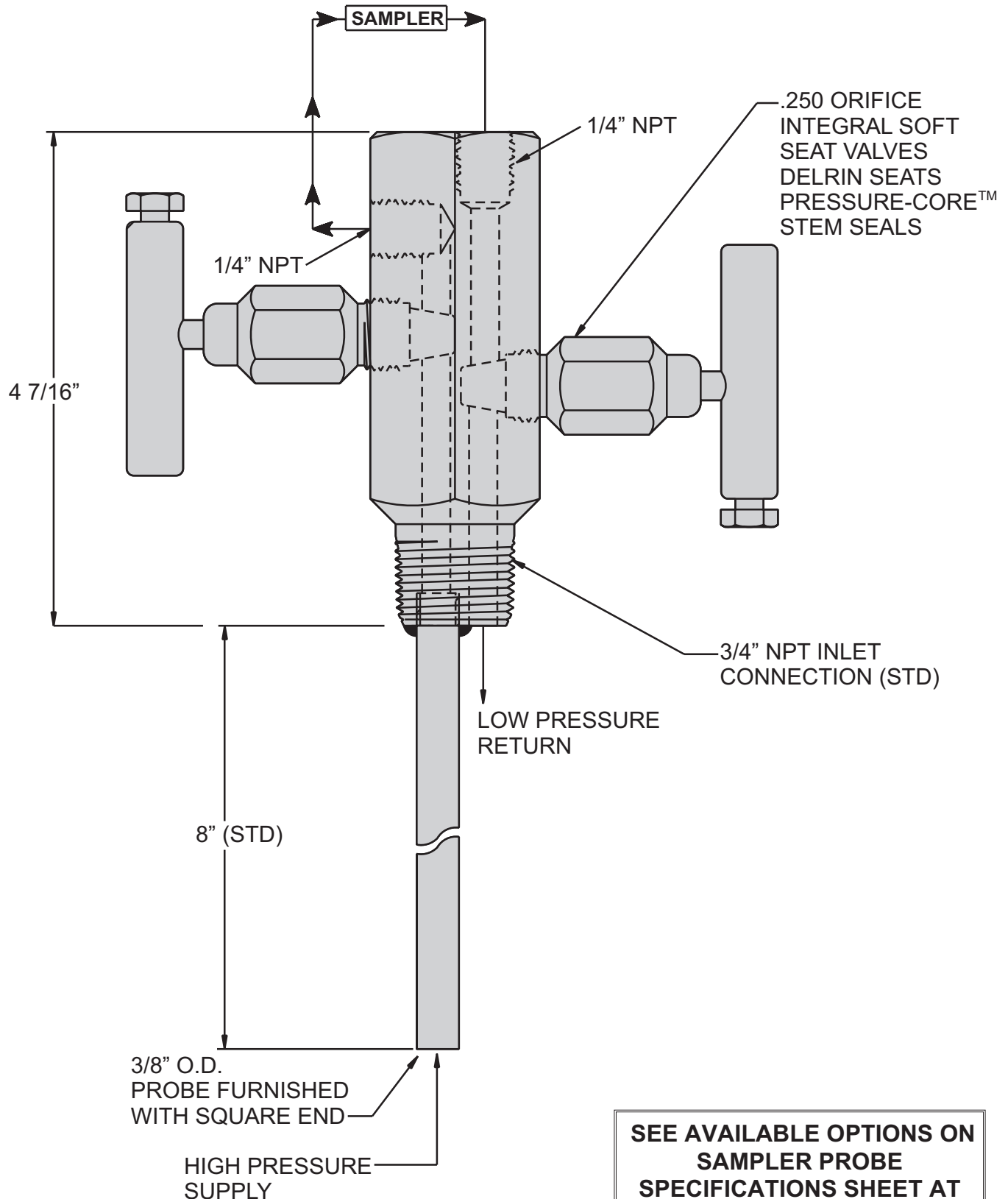
**SEE AVAILABLE OPTIONS ON SAMPLER PROBE SPECIFICATIONS SHEET AT THE BEGINNING OF THE SAMPLER PROBE SECTION.**



**PGI International**

16101 Vallen Drive  
Houston, Texas 77041  
(713) 466-0056

# PR25 DUAL FLOW INTEGRAL PROBE



**ALL 316 SS CONSTRUCTION**

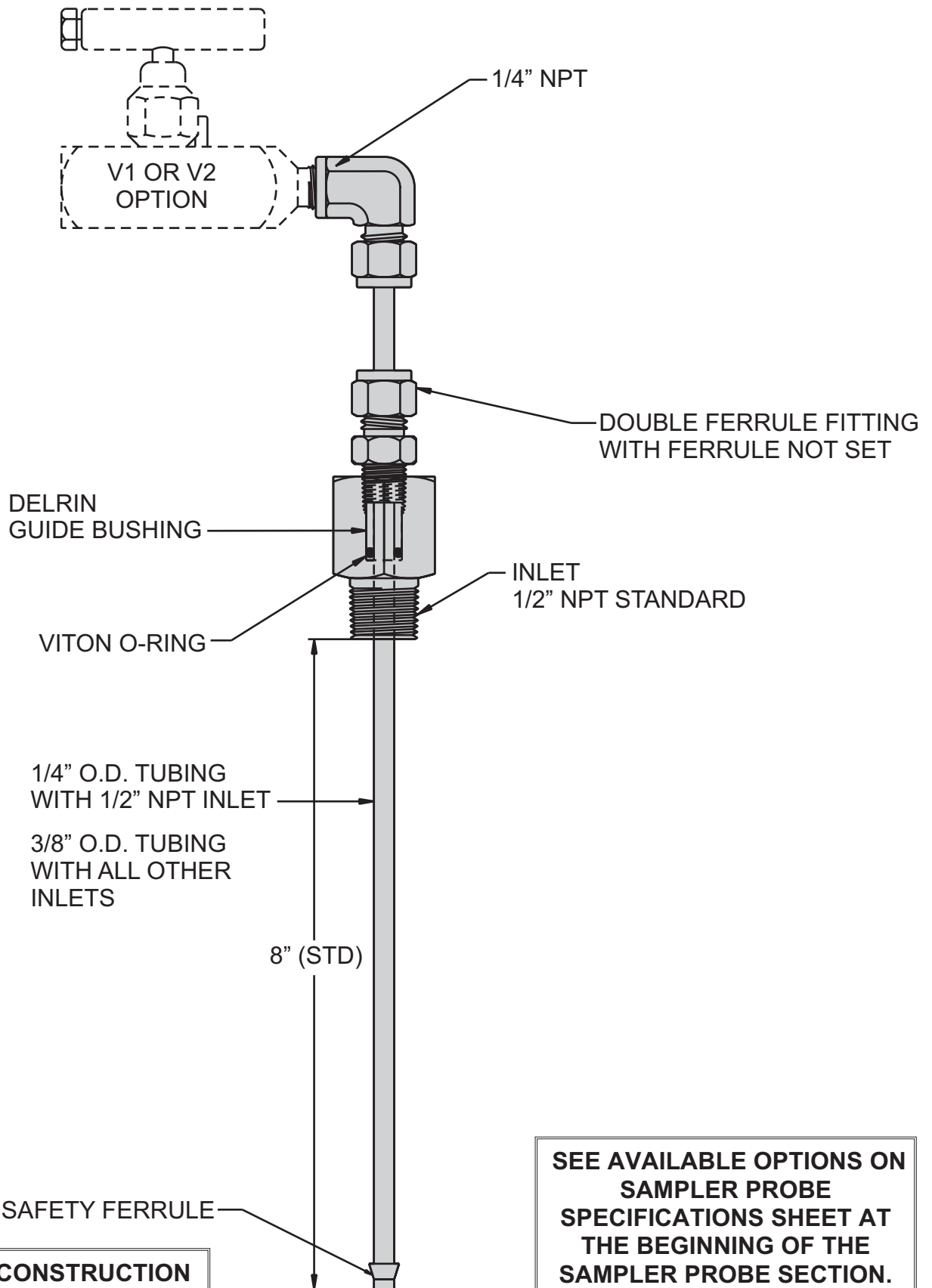
**SEE AVAILABLE OPTIONS ON  
SAMPLER PROBE  
SPECIFICATIONS SHEET AT  
THE BEGINNING OF THE  
SAMPLER PROBE SECTION.**



**PGI International**

16101 Vallen Drive  
Houston, Texas 77041  
(713) 466-0056

# PR30 HOT TAP SINGLE FLOW PROBE



**ALL 316 SS CONSTRUCTION**

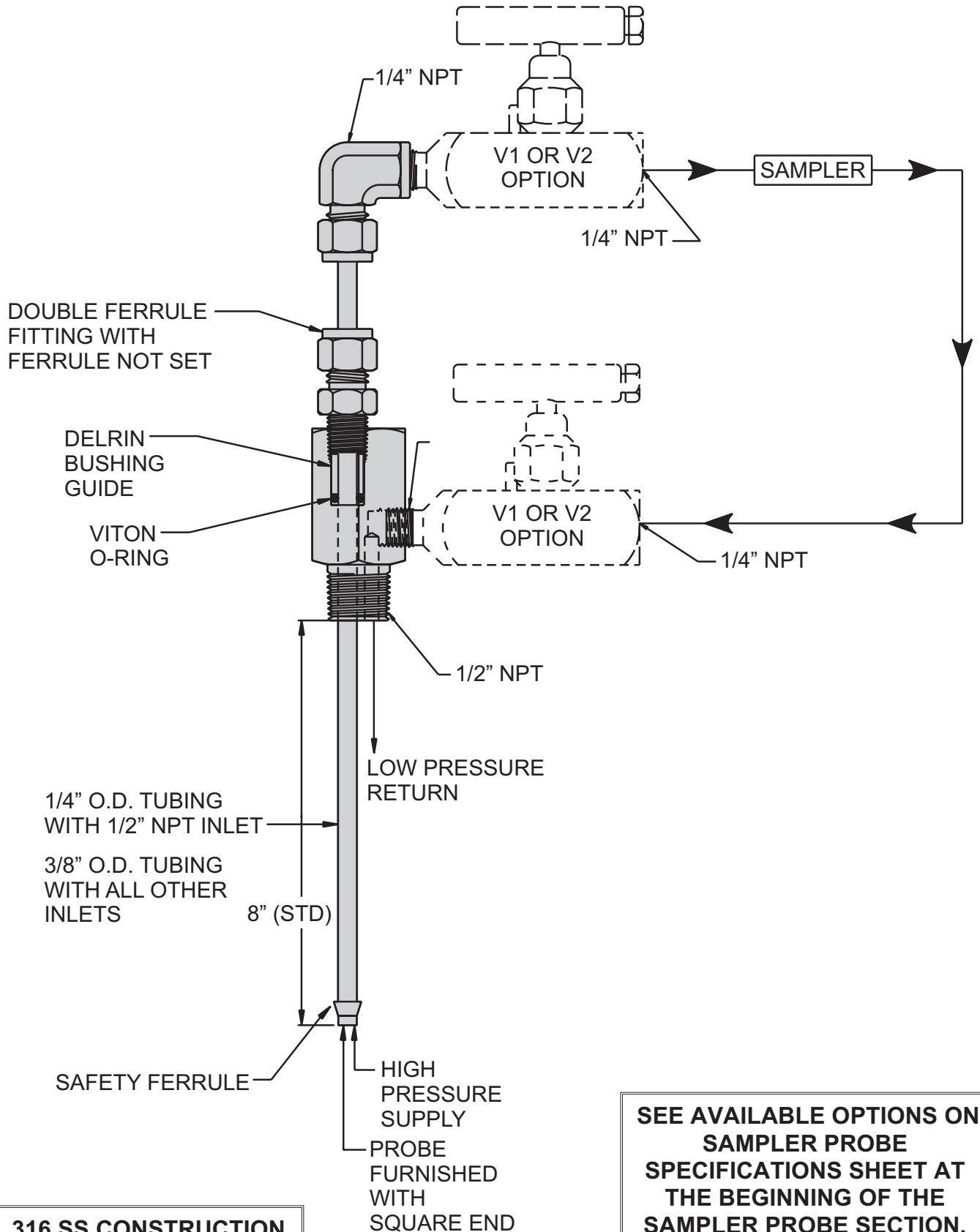
**SEE AVAILABLE OPTIONS ON  
SAMPLER PROBE  
SPECIFICATIONS SHEET AT  
THE BEGINNING OF THE  
SAMPLER PROBE SECTION.**



**PGI International**

16101 Vallen Drive  
Houston, Texas 77041  
(713) 466-0056

# PR40 HOT TAP DUAL FLOW PROBE



**ALL 316 SS CONSTRUCTION**

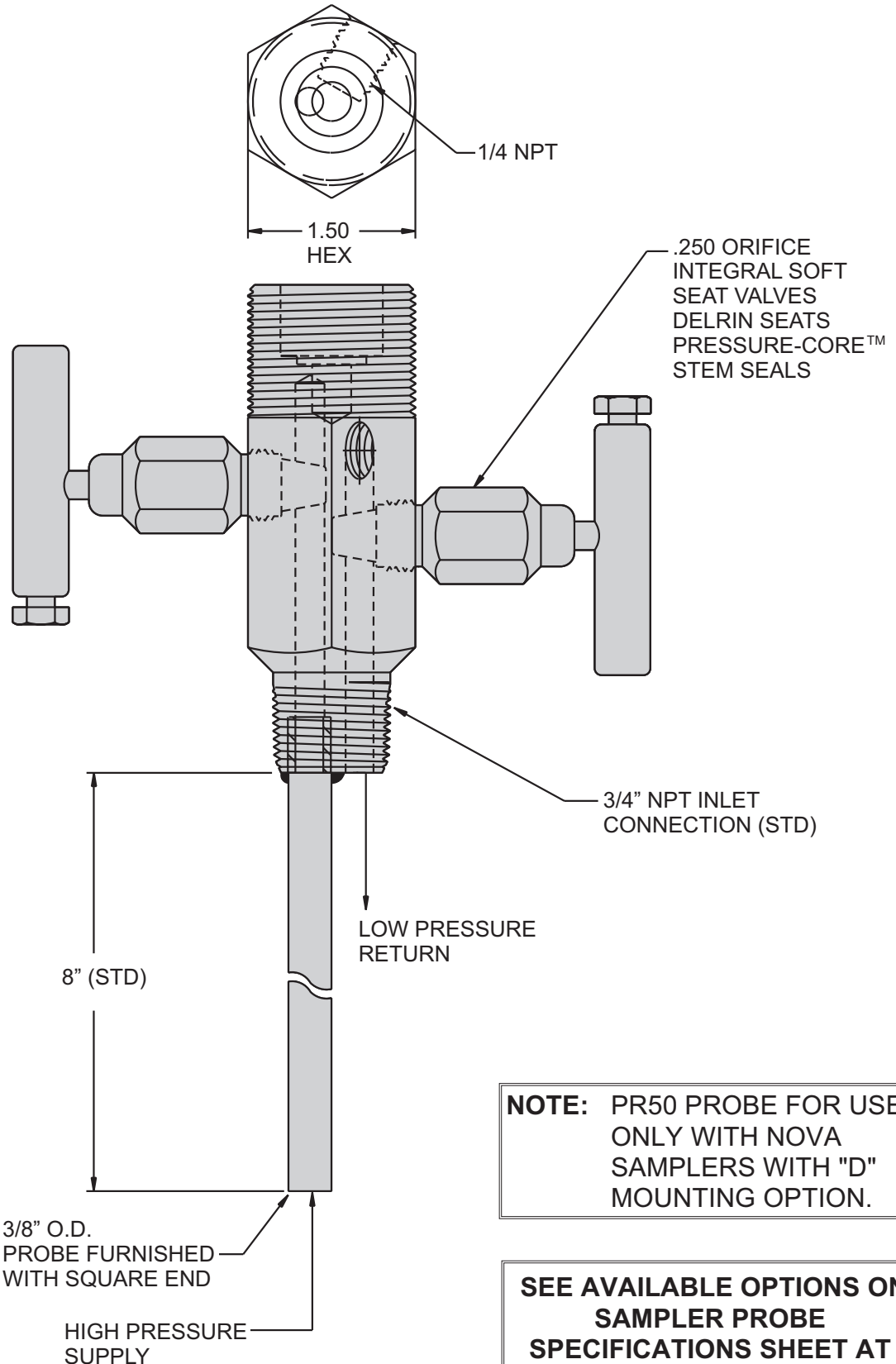
**SEE AVAILABLE OPTIONS ON SAMPLER PROBE SPECIFICATIONS SHEET AT THE BEGINNING OF THE SAMPLER PROBE SECTION.**



**PGI International**

16101 Vallen Drive  
Houston, Texas 77041  
(713) 466-0056

# PR50 *DIRECT-MOUNT*<sup>TM</sup> DUAL FLOW INTEGRAL PROBE



**NOTE:** PR50 PROBE FOR USE ONLY WITH NOVA SAMPLERS WITH "D" MOUNTING OPTION.

**SEE AVAILABLE OPTIONS ON SAMPLER PROBE SPECIFICATIONS SHEET AT THE BEGINNING OF THE SAMPLER PROBE SECTION.**

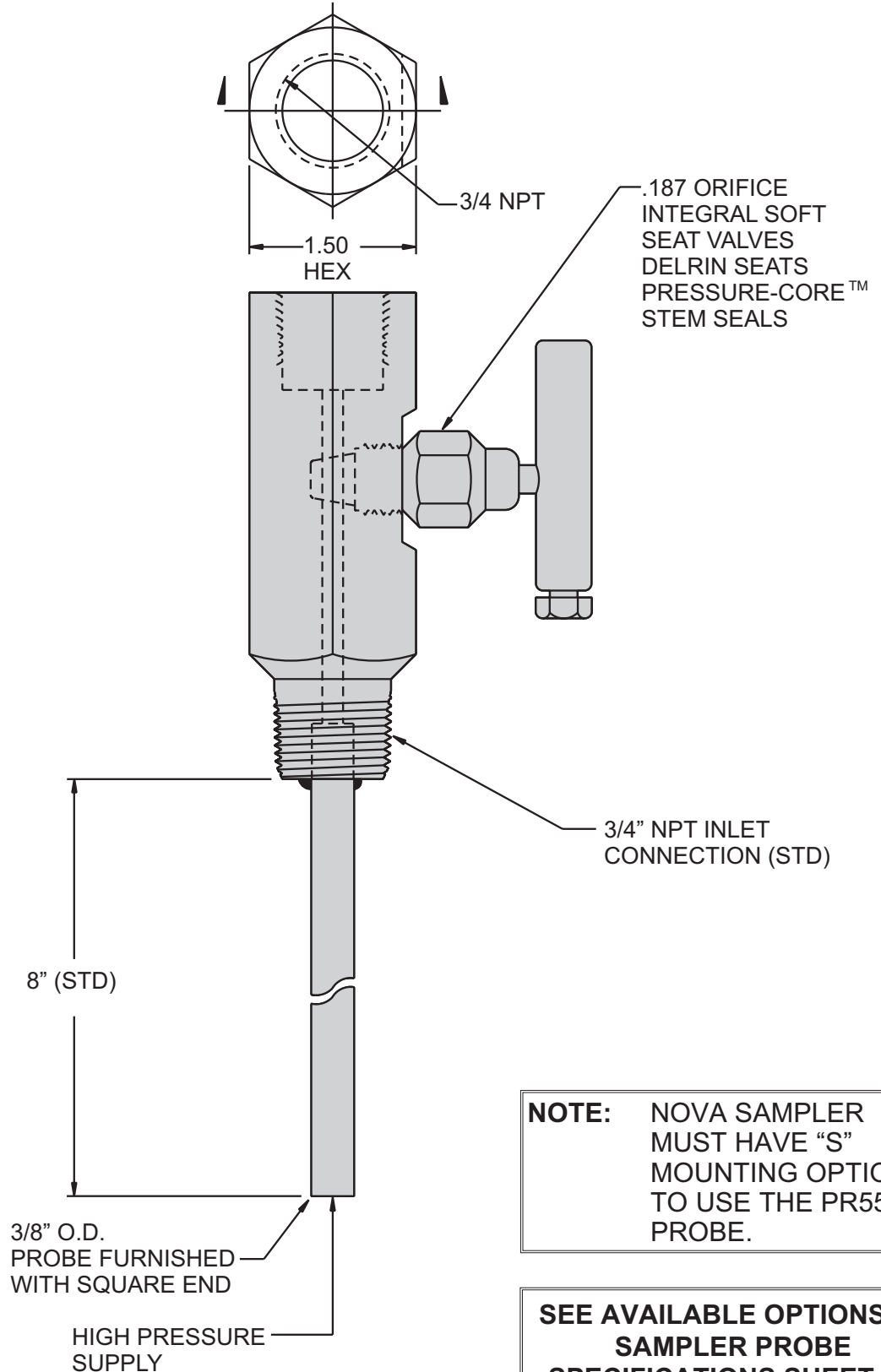
**ALL 316 SS CONSTRUCTION**



**PGI International**

16101 Vallen Drive  
Houston, Texas 77041  
(713) 466-0056

# PR55 *DIRECT-MOUNT*<sup>TM</sup> SINGLE FLOW INTEGRAL PROBE



**NOTE:** NOVA SAMPLER  
MUST HAVE "S"  
MOUNTING OPTION  
TO USE THE PR55  
PROBE.

**SEE AVAILABLE OPTIONS ON  
SAMPLER PROBE  
SPECIFICATIONS SHEET AT  
THE BEGINNING OF THE  
SAMPLER PROBE SECTION.**

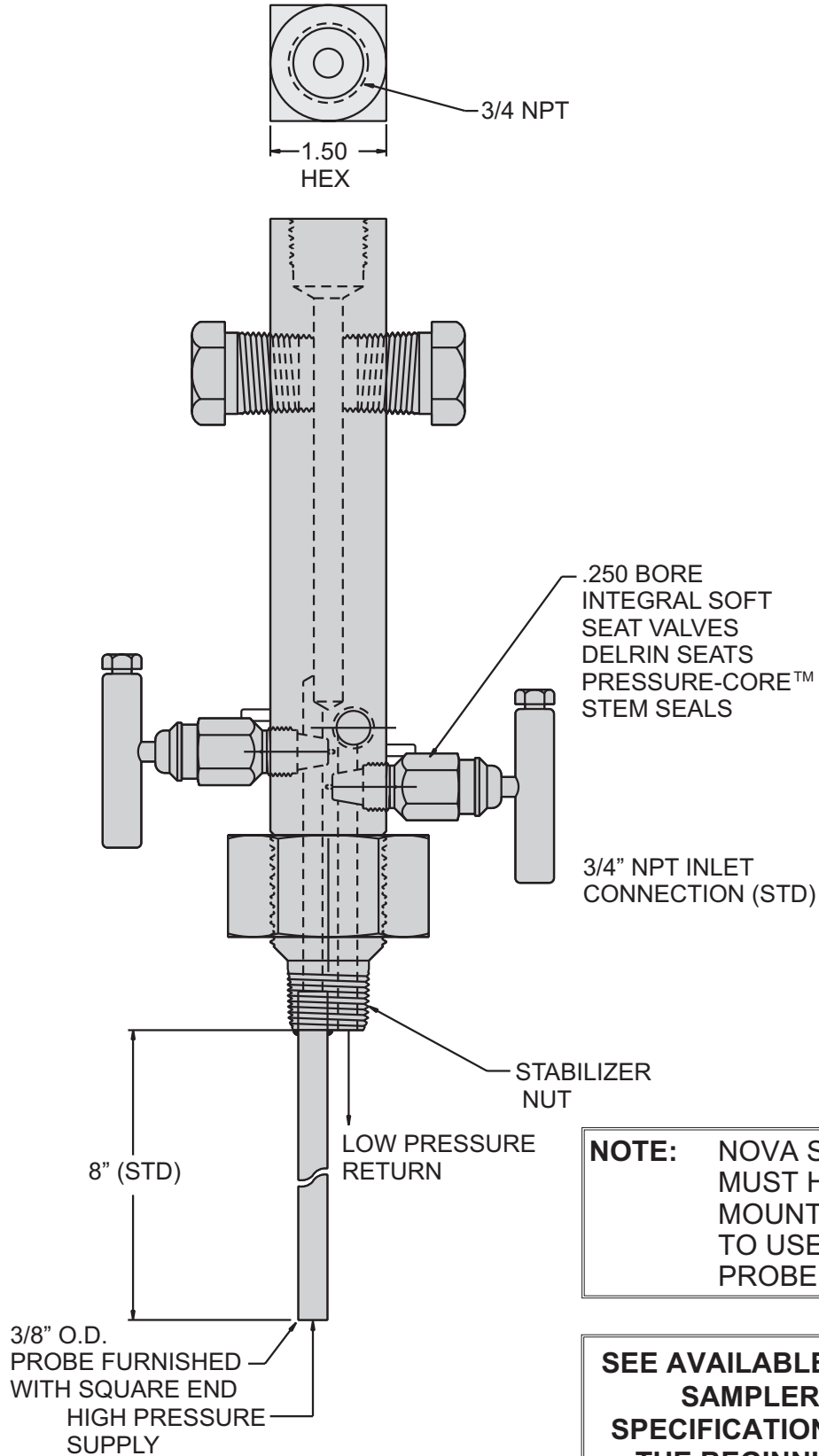
**ALL 316 SS CONSTRUCTION**



**PGI International**

16101 Vallen Drive  
Houston, Texas 77041  
(713) 466-0056

**PR60 DIRECT-MOUNT™  
DUAL FLOW INTEGRAL  
PROBE**



**NOTE:** NOVA SAMPLER  
MUST HAVE "S"  
MOUNTING OPTION  
TO USE THE PR60  
PROBE.

**SEE AVAILABLE OPTIONS ON  
SAMPLER PROBE  
SPECIFICATIONS SHEET AT  
THE BEGINNING OF THE  
SAMPLER PROBE SECTION.**

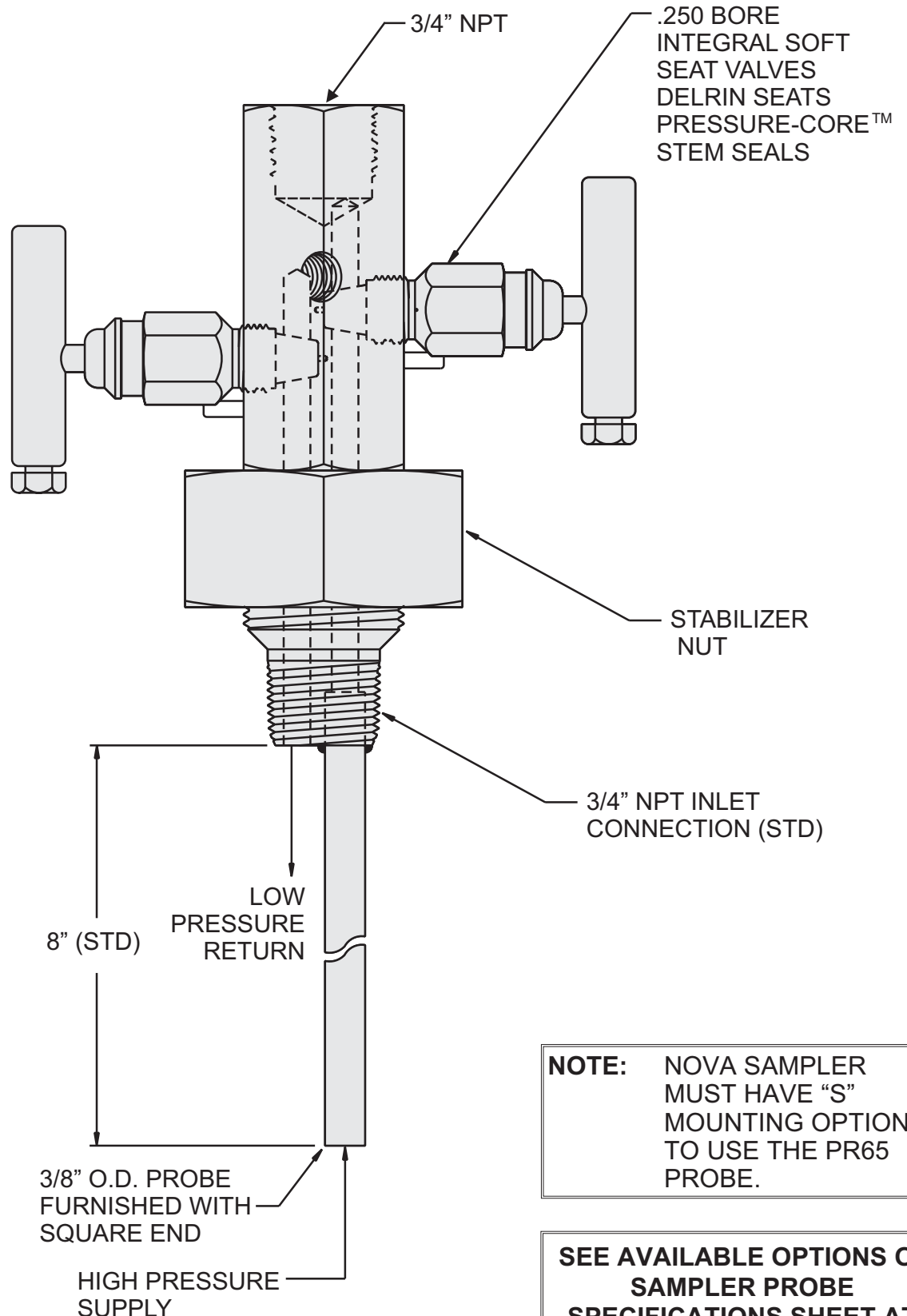
**ALL 316 SS CONSTRUCTION**



**PGI International**

16101 Vallen Drive  
Houston, Texas 77041  
(713) 466-0056

# PR65 *DIRECT-MOUNT*<sup>TM</sup> DUAL FLOW INTEGRAL PROBE



**NOTE:** NOVA SAMPLER  
MUST HAVE "S"  
MOUNTING OPTION  
TO USE THE PR65  
PROBE.

**SEE AVAILABLE OPTIONS ON  
SAMPLER PROBE  
SPECIFICATIONS SHEET AT  
THE BEGINNING OF THE  
SAMPLER PROBE SECTION.**

**ALL 316 SS CONSTRUCTION**