

# TURN-SAVER™

FOR THE NATURAL GAS INDUSTRY

ISO 9001:2008 Certified Quality System

## New Innovative Feature

Minimizes Number of Turns to Fully Open or Close the Bonnet of the Valve or Manifold Assembly

Saves Significant Time During Calibrations or Transmitter Replacement

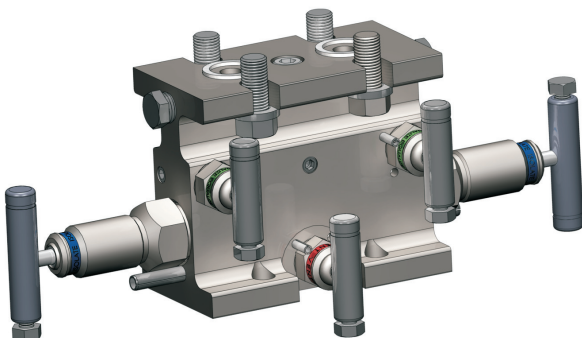
Less Repetitive Motion

Standard on All PGI Pressure-Core® Large Bore Soft Seat Applications

Added Feature Without Added Price



*3-1/2 Turns*



PATENT PENDING



**PGI International**

*Excellence Through Innovation*

## PGI International leads the industry in being the first with many innovative manifold design features:

- Direct-Mount™ Systems
- Stabilized Connectors
- Pressure-Core® Stem Seals
- Wide-Pattern™ Manifolds
- Low-Torque™ Grafoil
- Visual Indicator Lock-Out Bonnets

*And now...Turn-Saver!*

### Pressure-Core® Stem Seal

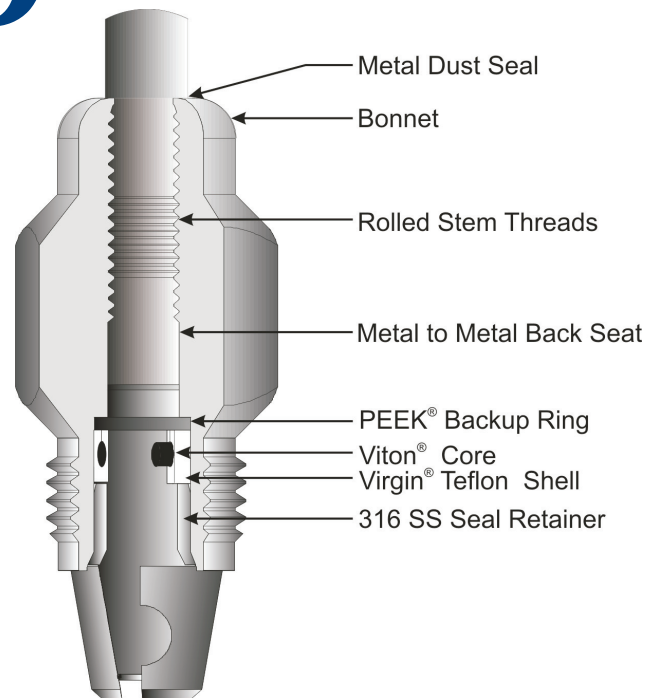
Compared to competitive bonnet designs, PGI's Pressure-Core® Seal offers leak-free performance with no maintenance requirements. To support this claim, the Pressure-Core® Seal was tested against the competitors' design. The tests simulated harsh plant operating environments and were performed by an independent laboratory in accordance with EPA Method 21.

### How We Do It!

The Pressure-Core® Seal consists of an outer Teflon® shell with an elliptical shaped Viton® O-Ring core. The encapsulated core is "live-loaded" and provides constant outward pressure against the Teflon® shell, which flexes under pressure like an O-Ring. The Teflon® shell offers the desired chemical resistance without periodic gland tightening as in conventional designs.

Test results indicate that the Pressure-Core® Seal is a reliable, affordable, virtually leak-free bonnet requiring no costly, time-consuming maintenance. PGI stands behind this claim with a five year warranty, far exceeding the industry standard.

# 5 Five Year Warranty



PATENTED

*PGI International provides this information in good faith, and it is intended only as an informative guide to PGI International products and services. Individuals using this literature must exercise their independent judgment in evaluating product selection and determining product appropriateness for their particular purpose, system requirements and certifications. PGI International reserves the right to change product designs and specifications without notice.*



**PGI International**  
*Excellence Through Innovation*

16101 Vallen Drive • Houston, TX 77041 USA  
713-466-0056 • 1-800-231-0233 • Fax: 1-800-568-9228  
sales@pgiint.com • www.pgiint.com