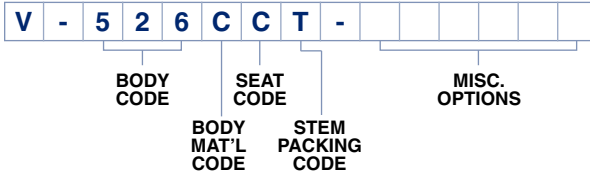




# Bleeder Screw Gauge Valves ~ Hard Seat

**ORIFICE**

**.187"**

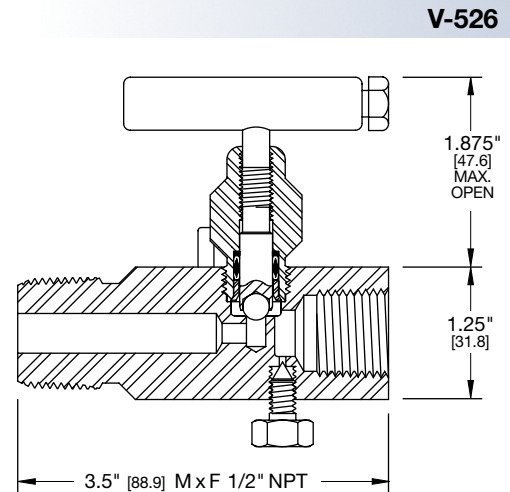


## ORDERING INFORMATION

PART NO.	CONNECTIONS		BODY & BONNET	SEAT & PACKING
	INLET	OUTLET		
<b>.187" Orifice</b>				
V-522CCT	1/2" MNPT x 1/2" FNPT		Carbon Steel	Carbide Ball Seat
V-522SCT			316 SS	
V-524CCT	1/2" FNPT x 1/2" FNPT		Carbon Steel	Teflon® Pressure-Core® Stem Seal
V-524SCT			316 SS	
V-526CCT	3/4" MNPT x 1/2" FNPT		Carbon Steel	Max Pressure 10,000 PSI @ 200°F
V-526SCT			316 SS	
V-606CCT	1/2" MNPT x 1/2" MNPT		Carbon Steel	
V-606SCT			316 SS	
V-608CCT	3/4" MNPT x 1/2" MNPT		Carbon Steel	
V-608SCT			316 SS	

OPTION CODE	DESCRIPTION
<b>Body Material Options</b>	
P	ASTM A105 CF Carbon Steel For Use with Grafoil® Packed Bonnets
<b>Seat Material Options</b>	
R	Ceramic Ball Seat
6	316 SS Ball Seat
<b>Stem Packing Material Options</b>	
T	Teflon® Pressure-Core® Stem Seal
G	Low-Torque™ Grafoil® Packed
J	Teflon® Pressure-Core® Stem Seal (Low Temperature -50°F)
<b>Miscellaneous Options</b>	
AM7	Male Pipe Socket Weld - Male Inlet Only
AP7	Female Pipe Socket Weld - Female Inlet Only
M1	Panel Mount
W	Safety Bonnet Lock Plate (Lock Pin Standard)
W1	316 SS Tag
WK	Paper Tag
XL	Clean for Critical Service (Oxygen or Chlorine)

Refer to Charts C and E on Page 22 and Pressure and Process Temperature Charts on Page 23.



## MATERIALS OF CONSTRUCTION

PART DESCRIPTION	CARBON STEEL	316 SS
Body and Bonnet	ASTM A108 CS	ASTM A479-316 SS
Stem	ASTM A479-316 SS	ASTM A479-316 SS
Seal Retainer	ASTM A479-316 SS	ASTM A479-316 SS
Bleed Screw	ASTM A479-316 SS	ASTM A479-316 SS
Handle Assembly	ASTM A108 CS	ASTM A581 18-8 300 SS

- PGI Carbon Steel Products are Alkaline Zinc plated for corrosion prevention.
- PGI 316 SS Products meet the requirements of NACE MR0175/ISO 15156-36.
- 100% Pressure Tested
- Carbon Steel Weld End Connection Bodies are AISI 1018

## MAX Cv RATINGS

ORIFICE SIZE	BODY STYLE Straight
.187"	.53

Approximate Valve Weight: 1.30 lbs [0.59 kg] each

BLEEDER SCREW GAUGE VALVES