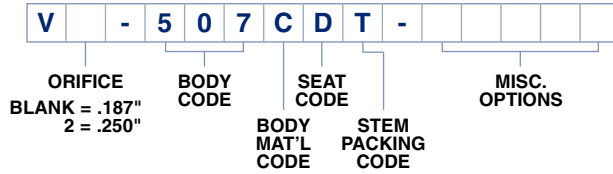


Instrument Hand Valves ~ Soft Seat

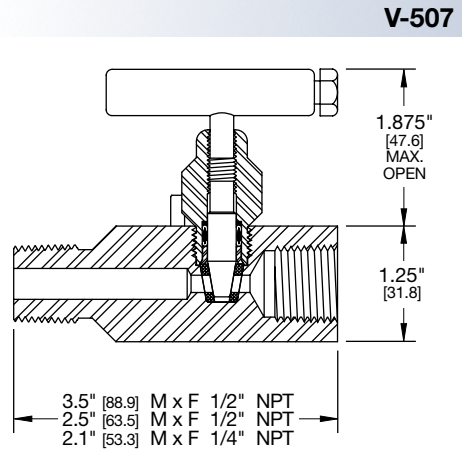
ORIFICE

.187" .250"

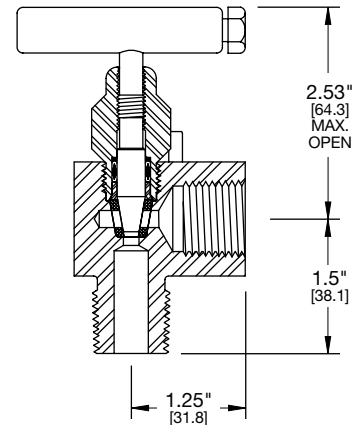


ORDERING INFORMATION

PART NO.	CONNECTIONS		BODY & BONNET	SEAT & PACKING	
	INLET	OUTLET			
.187" Orifice					
V-501CDT	1/4" MNPT x 1/4" FNPT		Carbon Steel	Delrin® Cone Seat	
V-501SDT			316 SS		
V-503CDT	1/4" FNPT x 1/4" FNPT		Carbon Steel		
V-503SDT			316 SS		
V-507CDT	1/2" MNPT x 1/2" FNPT		Carbon Steel		
V-507SDT			316 SS		
V-509CDT	1/2" FNPT x 1/2" FNPT		Carbon Steel		
V-509SDT			316 SS		
V-511CDT	1/2" MNPT x 1/2" FNPT Angle		Carbon Steel		Teflon® Pressure-Core® Stem Seal
V-511SDT			316 SS		
V-529CDT	3/4" MNPT x 1/2" FNPT		Carbon Steel		
V-529SDT			316 SS		
V-531CDT	1/2" MNPT x 1/4" FNPT		Carbon Steel		
V-531SDT			316 SS		
.250" Orifice					
V2-507CDT	1/2" MNPT x 1/2" FNPT		Carbon Steel	Max Pressure 6,000 PSI @ 200°F	
V2-507SDT			316 SS		
V2-509CDT	1/2" FNPT x 1/2" FNPT		Carbon Steel		
V2-509SDT			316 SS		
V2-529CDT	3/4" MNPT x 1/2" FNPT		Carbon Steel		
V2-529SDT			316 SS		
V2-531CDT	1/2" MNPT x 1/4" FNPT		Carbon Steel		
V2-531SDT			316 SS		



V-511



OPTION CODE	DESCRIPTION
Seat Material Options	
K	Kel-F® Seat
P	PEEK® Seat
T	Teflon® Seat
Z	Tefzel® Seat
Stem Packing Material Options	
T	Teflon® Pressure-Core® Stem Seal
J	Teflon® Pressure-Core® Stem Seal (Low Temperature -50°F)
Miscellaneous Options	
M1	Panel Mount
W	Bonnet Lock Plate (Lock Pin Standard)
W1	316 SS Tag
WK	Paper Tag
XL	Clean for Critical Service (Oxygen or Chlorine)

Refer to Chart B on Page 22 and Pressure and Process Temperature Charts on Page 23.

MATERIALS OF CONSTRUCTION

PART DESCRIPTION	CARBON STEEL	316 SS
Body and Bonnet	ASTM A108 CS	ASTM A479-316 SS
Stem	ASTM A581-303 SS	ASTM A479-316 SS
Seal Retainer	ASTM A479-316 SS	ASTM A479-316 SS
Handle Assembly	ASTM A108 CS	ASTM A581 18-8 300 SS

- PGI Carbon Steel Products are Alkaline Zinc plated for corrosion prevention.
- PGI 316 SS Products meet the requirements of NACE MR0175/ISO 15156-36.
- 100% Pressure Tested

MAX Cv RATINGS

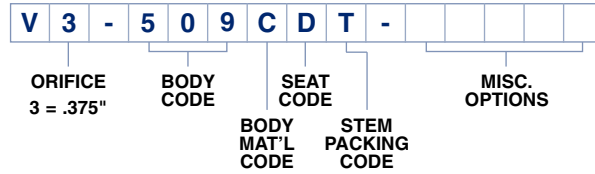
ORIFICE SIZE	BODY STYLE	
	Straight	Angle
.187"	.83	.79
.250"	1.40	

Approximate Valve Weight: 1.30 lbs [0.59 kg] each

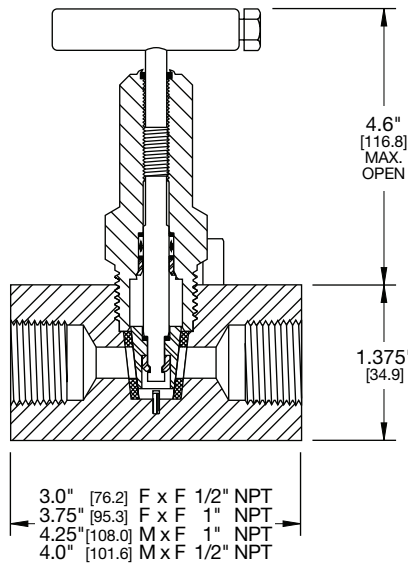
Instrument Hand Valves ~ Soft Seat

ORIFICE

.375"



V3-509



MATERIALS OF CONSTRUCTION

PART DESCRIPTION	CARBON STEEL	316 SS
Body and Bonnet	ASTM A108 CS	ASTM A479-316 SS
Stem	ASTM A479-316 SS	ASTM A479-316 SS
Seal Retainer	ASTM A479-316 SS	ASTM A479-316 SS
Handle Assembly	ASTM A108 CS	ASTM A581 18-8 300 SS

- PGI Carbon Steel Products are Alkaline Zinc plated for corrosion prevention.
- PGI 316 SS Products meet the requirements of NACE MR0175/ISO 15156-36.
- 100% Pressure Tested

MAX Cv RATINGS

ORIFICE SIZE	BODY STYLE Straight
.375"	3.00

Approximate Valve Weight: 3.00 lbs [1.36 kg] each

ORDERING INFORMATION

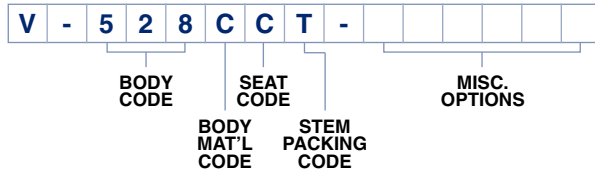
PART NO.	CONNECTIONS		BODY & BONNET	SEAT & PACKING
	INLET	OUTLET		
.375" Orifice				
V3-507CDT	1/2" MNPT	x 1/2" FNPT	Carbon Steel	Delrin® Cone Seat
V3-507SDT			316 SS	
V3-509CDT	1/2" FNPT	x 1/2" FNPT	Carbon Steel	Teflon® Pressure-Core® Stem Seal
V3-509SDT			316 SS	
V3-537CDT	1" MNPT	x 1/2" FNPT	Carbon Steel	Max Pressure 6,000 PSI @ 200°F
V3-537SDT			316 SS	
V3-541CDT	3/4" FNPT	x 3/4" FNPT	Carbon Steel	
V3-541SDT			316 SS	
V3-543CDT	1" FNPT	x 1" FNPT	Carbon Steel	
V3-543SDT			316 SS	
V3-545CDT	1" MNPT	x 1" FNPT	Carbon Steel	
V3-545SDT			316 SS	
V3-547CDT	3/4" MNPT	x 3/4" FNPT	Carbon Steel	
V3-547SDT			316 SS	

OPTION CODE	DESCRIPTION	
Seat Material Options		
K	Kel-F® Seat	Refer to Chart D on Page 22 and Pressure and Process Temperature Charts on Page 23.
L	Rylon™ Seat	
P	PEEK® Seat	
T	Teflon® Seat	
6	316 SS Seat	
Stem Packing Material Options		
T	Teflon® Pressure-Core® Stem Seal	
G	Low-Torque™ Grafoil® Packed (Available with 316SS Seat Only)	
J	Teflon® Pressure-Core® Stem Seal (Low Temperature -50°F)	
Miscellaneous Options		
W	Bonnet Lock Plate (Lock Pin Standard)	
W1	316 SS Tag	
WK	Paper Tag	
XL	Clean for Critical Service (Oxygen or Chlorine)	

Instrument Hand Valves ~ Hard Seat

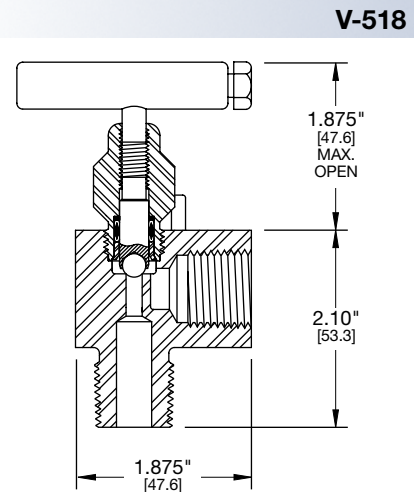
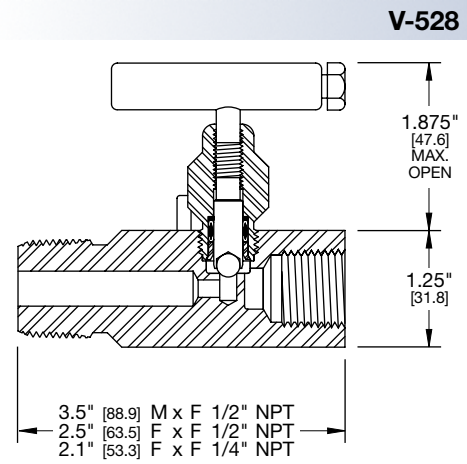
ORIFICE

.187"



ORDERING INFORMATION

PART NO.	CONNECTIONS		BODY & BONNET	SEAT	SEAL
	INLET	OUTLET			
.187" Orifice					
V-500CCT	1/4" MNPT x 1/4" FNPT		Carbon Steel	Carbide Ball	Teflon® Pressure-Core® Stem Seal
V-500SCT			316 SS		
V-502CCT	1/4" FNPT x 1/4" FNPT		Carbon Steel	Monel® Ball	
V-502SCT			316 SS		
V-502MNT			Monel®		
V-506CCT	1/2" MNPT x 1/2" FNPT		Carbon Steel	Carbide Ball	
V-506SCT			316 SS		
V-506MNT			Monel®	Monel® Ball	
V-506HHT			Hast-C	Hast-C	
V-508CCT	1/2" FNPT x 1/2" FNPT		Carbon Steel	Carbide Ball	
V-508SCT			316 SS		
V-508MNT			Monel®	Monel® Ball	
V-510CCT	1/2" MNPT x 1/2" FNPT Angle		Carbon Steel	Carbide Ball	
V-510SCT			316 SS		
V-528CCT	3/4" MNPT x 1/2" FNPT		Carbon Steel	Carbide Ball	
V-528SCT			316 SS		
V-530CCT	1/2" MNPT x 1/4" FNPT		Carbon Steel	Carbide Ball	
V-530SCT			316 SS		



OPTION CODE	DESCRIPTION
Body Material Options	
P	ASTM A105 CF Carbon Steel For Use with Grafoil® Packed Bonnets
Seat Material Options	
N	Monel® Ball Seat
R	Ceramic Ball Seat
6	316 SS Ball Seat
Stem Packing Material Options	
T	Teflon® Pressure-Core® Stem Seal
G	Low-Torque™ Grafoil® Packed
J	Teflon® Pressure-Core® Stem Seal (Low Temperature -50°F)
Miscellaneous Options	
AB†	1/2" Parker A-LOK Welded in Compression Fitting
AC†	1/2" Swagelok Welded in Compression Fitting
AM7	Male Pipe Socket Weld - Male Inlet Only
AP§	Female Pipe Socket Weld - Female Inlet and Female Outlet
AP7§	Female Pipe Socket Weld - Female Inlet Only
M1	Panel Mount
W	Safety Bonnet Lock Plate (Lock Pin Standard)
W1	316 SS Tag
WK	Paper Tag
XL	Clean for Critical Service (Oxygen or Chlorine)

† Inlet and Outlet: Available on V-508 Valves Only
§ Available on V-502 and V-508 Valves Only

MATERIALS OF CONSTRUCTION

PART DESCRIPTION	CARBON STEEL	316 SS
Body and Bonnet	ASTM A108 CS	ASTM A479-316 SS
Stem	ASTM A479-316 SS	ASTM A479-316 SS
Seal Retainer	ASTM A479-316 SS	ASTM A479-316 SS
Handle Assembly	ASTM A108 CS	ASTM A581 18-8 300 SS

- PGI Carbon Steel Products are Alkaline Zinc plated for corrosion prevention.
- PGI 316 SS Products meet the requirements of NACE MR0175/ISO 15156-36.
- 100% Pressure Tested
- Carbon Steel Weld End Connection Bodies are AISI 1018

MAX Cv RATINGS

ORIFICE SIZE	BODY STYLE	
	Straight	Angle
.187"	.53	.79

Approximate Valve Weight: 1.30 lbs [0.59 kg] each

